

Neltron *Neltron Industrial Co., Ltd.*
connectors

USB TYPE-C CONNECTOR

USB Type-C / USB Type-A / USB Type-B / Type-AB Connector
Micro USB / Mini USB Connector
DisplayPort / Micro HDMI / HDMI Connector
USB / USB Type-C / HDMI / DP Cable

USB Type-C Connector

5077CR-24-SMC3-BK-TR	01
5077CR-24-SMB1-BK-TR	01
5077CR-24-SMD1-BK-TR	02
5077CR-24-SM-BK-TR	02
5077CR-24-SMA3-BK-TR	03
5077CR-24-SMC7-BK-TR	03
5077CR-24-SMC6-BK-TR	04
5077CR-24-SM1-BK-TR	04
5077CR-24-SMZK-BK-TR	05
5077CR-24-SMMA-BK-TR	05
5077CR-24-SMM9-BK-TR	06
5077CR-24-SMM4-BK-TR	06
5077CR-24-SMM8-BK-WP-TR	07
5077CR-24-SMC13-BK-WP-TR	07
5077CR-24-SMC12-BK-WP-TR	08
5077CS-24-SMC1-BK-CR	08
5077CS-24-SMC2-BK-CR	09
5077CS-24-C1-BK	09
5077CS-24-C2-BK	10
5077CS-24-C4-BK	10
5077CS-24-C6-BK	11
5077CP-24-CLP	11
5077CP-24-CLP1	12
5077CP-24-02-02	12
5077CP-24-C5-BK	13
5077CP-24-C8-BK	13
5077CP-02-02	14
5077CR-06-SM-BK-TR	14
5077CR-14-SM-BK-TR	15
5077CR-16-SM-BK-TR	15
5077CR-16-SMA2-BK-TR	16
5077CR-16-SMC2-BK-TR	16
5077CR-16-SMC2A-BK-TR	17
5077CR-16-SMC2B-BK-TR	17
5077CR-16-SMS43-BK-TR	18
5077CR-16-SMM1-BK-TR	18
5077CR-16-SMM2-BK-TR	19
5077CR-16-SMM3-BK-TR	19
5077CUR-14-BK	20
5077CAS-1404	20

DisplayPort Connector

5520SF-20SG-CR	21
5520SF-20SG-SM-CR	21
5520RF-20SG-SMB	22

Micro HDMI Connector

5090MRD-19SG-SMA-TR	22
5090MRD-19SG-SMB-MCR	23
5090MRD-19SG-SMC-MCR	23
5090MRD-19SG-SM-TR	24

HDMI Connector

































5090R-19SG-SMN	24
5090R-19SG-SM3-XX	25
5090R-19SG-SMT1-TP	25
5090R-19SG-SMSH-XX	26
5090R-19SG	26
5090UR-19SG	27

USB Type-A, USB Type-B, Type-AB, Micro USB, Mini USB Connector

5075AS-04-XX	28
5075AS-08-XX	28
5075AR-04-XX	28
5075AR-04A-XX	28
5075AR-04-SM-XX	28
5075AR-04-SM1-XX	28
5075AR-08B-XX	28
5075ARP-04	28
5075ARP-04-SM1	28
5075ARP-04-SM2-XX	28
5075ARP-04-SM5	28
5075ARRP-04	28
5075ARRP-04-SM1	28
5075AUR-04-XX	28
5075AUR-04-XX-PGA	28
5075BS-04-XX-KO	28
5075BS-04A-XX	29
5075BR-04-XX	29
5075ABMR-05-SM	29
5075ABMR-05-SM1	29
5075BMR-05	29
5075BMR-05B	29
5075BMR-05D	29
5075BMR-05-SM	29
5075BMR-05-SM1	29
5075MABR-05-SM1	29
5075MBR-05-SM6	29
5075MBS-05-SM-01	29
5075MABRR-05-SM-WP	29


USB, USB Type-C, HDMI & DP Cable

USB Cable	30-31
USB Adapter	30
USB Type-C Cable	31-32
USB HDMI Cable	32
HDMI Cable	32
Waterproof HDMI Cable	32
USB DP Cable	32
DP Cable	32

Product Variation									
Male / Female	No. of Contacts / Type	Product Number	3D Image	Page	Male / Female	No. of Contacts / Type	Product Number	3D Image	Page
Male	24 / Clip	5077CP-24-CLP		11	Female	16 / 90° SMD	5077CR-16-SMC2-BK-TR		16
Male	24 / Clip	5077CP-24-CLP1		12	Female	16 / 90° SMD	5077CR-16-SMC2A-BK-TR		17
Male	24 / Clip	5077CP-24-02-02		12	Female	16 / 90° SMD	5077CR-16-SMC2B-BK-TR		17
Male	24 / Clip	5077CP-24-C5-BK		13	Female	16 / 90° SMD	5077CR-16-SMS43-BK-TR		18
Male	24 / Clip	5077CP-24-C8-BK		13	Female	24 / 90° SMD	5077CR-24-SMC3-BK-TR		1
Male	24 / Clip	5077CP-02-02		14	Female	24 / 90° SMD	5077CR-24-SMB1-BK-TR		1
Female	24 / Clip	5077CS-24-C1-BK		9	Female	24 / 90° SMD	5077CR-24-SMD1-BK-TR		2
Female	24 / Clip	5077CS-24-C2-BK		10	Female	24 / 90° SMD	5077CR-24-SM-BK-TR		2
Female	24 / Clip	5077CS-24-C4-BK		10	Female	24 / 90° SMD	5077CR-24-SMA3-BK-TR		3
Female	24 / Clip	5077CS-24-C6-BK		11	Female	24 / 90° SMD	5077CR-24-SMC7-BK-TR		3
Female	24 / 180° SMD	5077CS-24-SMC1-BK-CR		8	Female	24 / 90° SMD	5077CR-24-SMC6-BK-TR		4
Female	24 / 180° SMD	5077CS-24-SMC2-BK-CR		9	Female	24 / 90° SMD	5077CR-24-SM1-BK-TR		4
Female	6 / 90° SMD	5077CR-06-SM-BK-TR		14	Female	24 / 90° SMD	5077CR-24-SMZK-BK-TR		5
Female	14 / 90° SMD	5077CR-14-SM-BK-TR		15	Female	16 / Mid-Mount 90° SMD	5077CR-16-SMM1-BK-TR		18
Female	16 / 90° SMD	5077CR-16-SM-BK-TR		15	Female	16 / Mid-Mount 90° SMD	5077CR-16-SMM2-BK-TR		19
Female	16 / 90° SMD	5077CR-16-SMA2-BK-TR		16	Female	16 / Mid-Mount 90° SMD	5077CR-16-SMM3-BK-TR		19

USB Type-C, DisplayPort, Micro HDMI & HDMI Connector

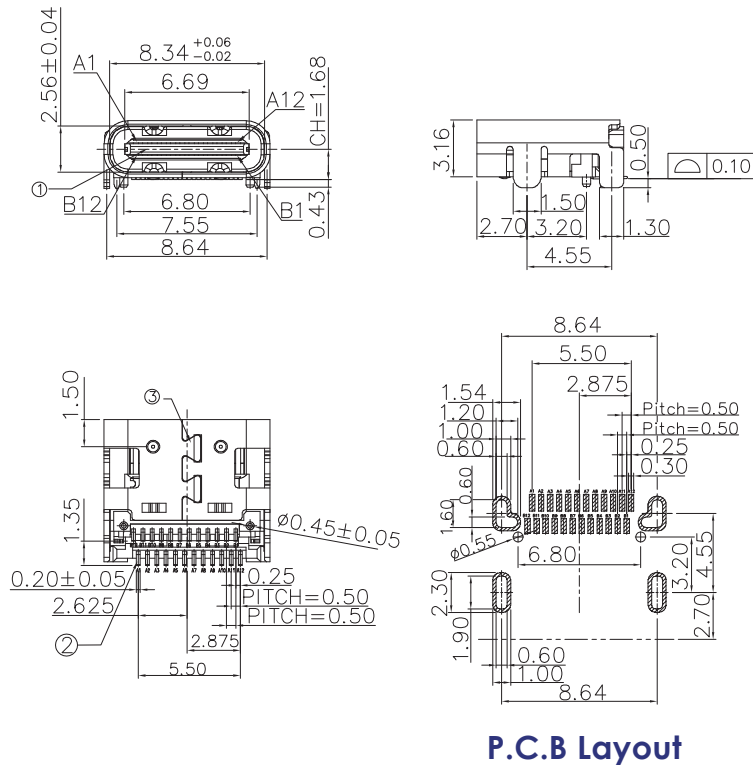
Product Variation

Male / Female	No. of Contacts / Type	Product Number	3D Image	Page	Male / Female	No. of Contacts / Type	Product Number	3D Image	Page
Female	24 / Mid-Mount 90° SMD	5077CR-24-SMMA-BK-TR		5	Female	19 / Surface Mount, With Through Hole Shell Tabs	5090R-19SG-SM3-XX		25
Female	24 / Mid-Mount 90° SMD	5077CR-24-SMM9-BK-TR		6	Female	19 / Surface Mount	5090MRD-19SG-SMA-TR		25
Female	24 / Mid-Mount 90° SMD	5077CR-24-SMM4-BK-TR		6	Female	19 / Surface Mount, With Through Hole Shell Tabs, With Flange	5090R-19SG-SMSH-XX		26
Female	24 / Mid-Mount 90° SMD Waterproof	5077CR-24-SMM8-BK-WP-TR		7	Female	19 / Dip	5090R-19SG		26
Female	24 / Mid-Mount 90° SMD Waterproof	5077CR-24-SMC13-BK-WP-TR		7	Female	19 / Surface Mount, With Through Hole Shell Tabs	5090UR-19SG		27
Female	24 / Mid-Mount 90° SMD Waterproof	5077CR-24-SMC12-BK-WP-TR		8					
Female	14 / Dip	5077CUR-14-BK		20					
Female	14 / Dip	5077CAS-1404		20					
Female	20 / Dip	5520SF-20SG-CR		21					
Female	20 / Surface Mount	5520SF-20SG-SM-CR		21					
Female	20 / Surface Mount	5520RF-20SG-SMB		22					
Female	20 / Surface Mount, With Through Hole Shell Tabs	5090MRD-19SG-SMA-TR		22					
Female	19 / Surface Mount	5090MRD-19SG-SMB-MCR		23					
Female	19 / Surface Mount, Hybrid Type Mount	5090MRD-19SG-SMC-MCR		23					
Female	19 / Surface Mount, With Through Hole Shell Tabs	5090MRD-19SG-SM-TR		24					
Female	19 / Surface Mount, With Through Hole Shell Tabs	5090R-19SG-SMN		24					

USB Type-C Connector Right Angle Type

Female Top Mount, Dual Row, Surface Mount

5077CR-24-SMC3-BK-TR



► Specifications

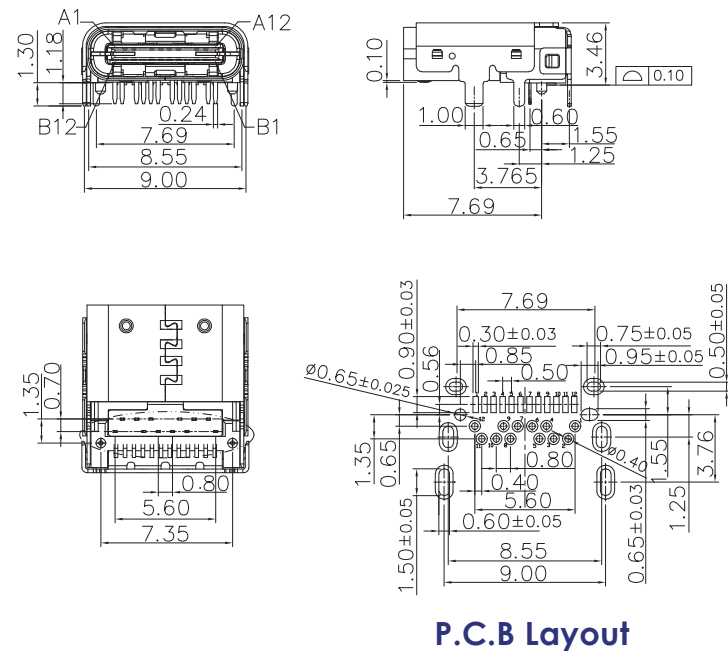
- 1.Current Rating : 3.0A AC/DC
- 2.Voltage Rating : 100V AC/DC
- 3.Contact Resistance : 40m ohm max.
- 4.Insulation Resistance : 100M ohm min.
- 5.Withstanding Voltage : 100V AC for one minute
- 6.Operating Temperature Range : -40°C ~+105°C

► Material and Finish

- 1.Insulator : Hight Temp. Plastic (UL94V-0)
- 2.Contact : Copper Alloy
- 3.Plating : Gold Plated on Contact Area
- 4.Shell : Stainless Steel

Female Top Mount, Hybrid Mount

5077CR-24-SMB1-BK-TR



► Specifications

- 1.Current Rating : 3.0A AC/DC
- 2.Voltage Rating : 100V AC/DC
- 3.Contact Resistance : 40m ohm max.
- 4.Insulation Resistance : 100M ohm min.
- 5.Withstanding Voltage : 100V AC for one minute
- 6.Operating Temperature Range : -40°C ~+105°C

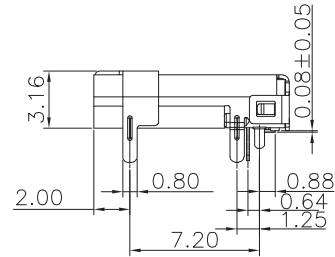
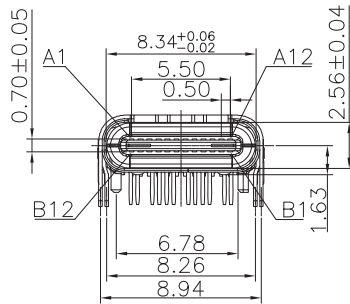
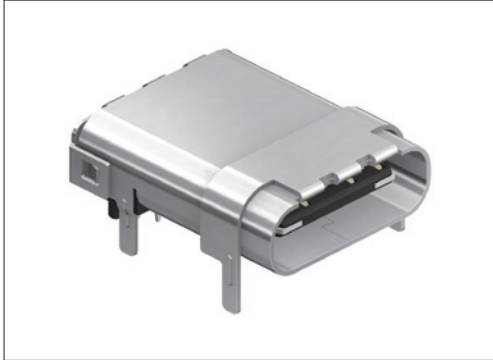
► Material and Finish

- 1.Insulator : Hight Temp. Plastic (UL94V-0)
- 2.Contact : Copper Alloy
- 3.Plating : Gold Plated on Contact Area
- 4.Shell : Stainless Steel

USB Type-C Connector Right Angle Type

Female Top Mount, Hybrid Mount

5077CR-24-SMC6-BK-TR

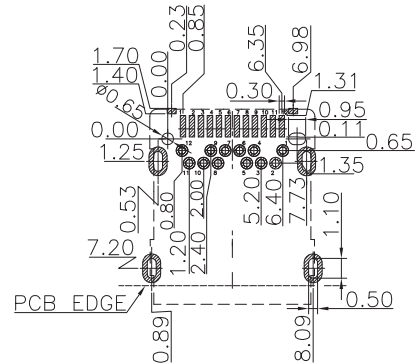
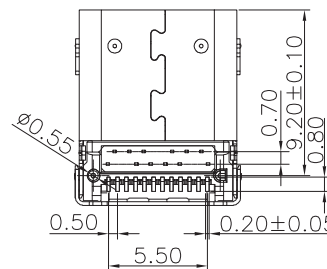


► Specifications

- 1.Current Rating : 5.0A AC/DC
- 2.Voltage Rating : 20V AC/DC
- 3.Contact Resistance : 40m ohm max.
- 4.Insulation Resistance : 100M ohm min.
- 5.Withstanding Voltage : 100V AC for one minute
- 6.Operating Temperature Range : -40°C ~+105°C

► Material and Finish

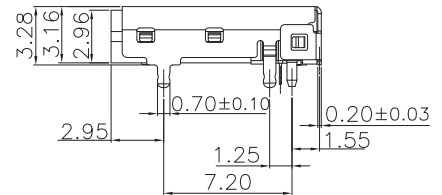
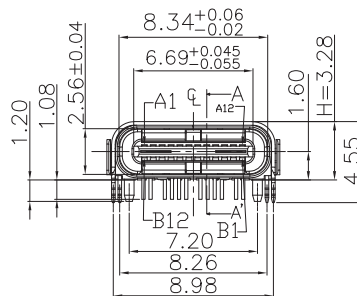
- 1.Insulator : Hight Temp. Plastic (UL94V-0)
- 2.Contact : Copper Alloy
- 3.Plating : Gold Plated on Contact Area
- 4.Shell : Stainless Steel



P.C.B Layout

Female Top Mount, Hybrid Mount

5077CR-24-SM1-BK-TR

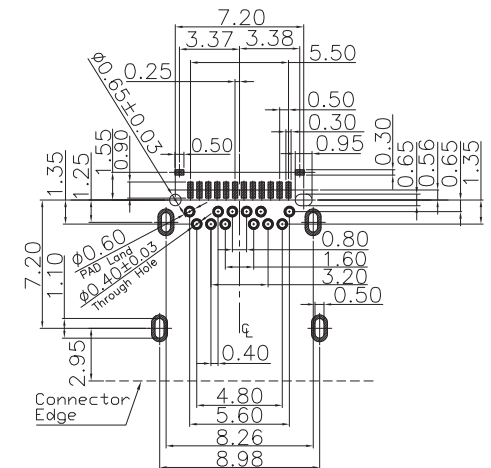
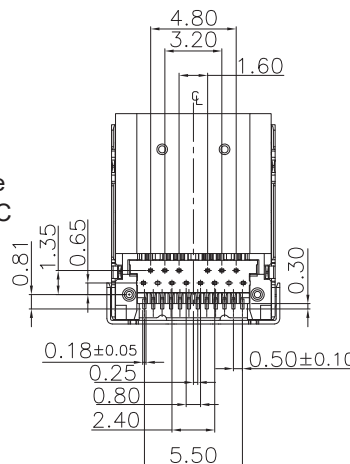


► Specifications

- 1.Current Rating : 5.0A AC/DC
- 2.Voltage Rating : 100V AC/DC
- 3.Contact Resistance : 50m ohm max.
- 4.Insulation Resistance : 100M ohm min.
- 5.Withstanding Voltage : 100V AC for one minute
- 6.Operating Temperature Range : -40°C ~+105°C

► Material and Finish

- 1.Insulator : Hight Temp. Plastic (UL94V-0)
- 2.Contact : Copper Alloy
- 3.Plating : Gold Plated on Contact Area
- 4.Shell : Stainless Steel

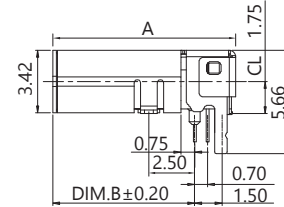
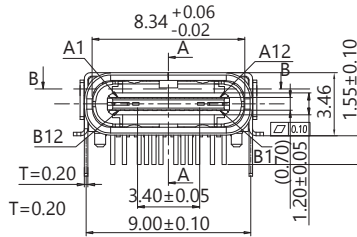


P.C.B Layout

USB Type-C Connector Right Angle Type

Female Top Mount, Hybrid Mount

5077CR-24-SMZX-BK-TR

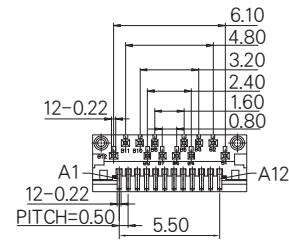
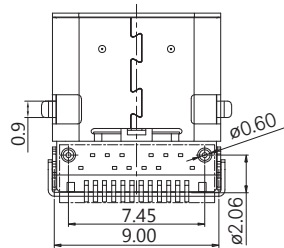


► Specifications

- 1.Current Rating : 3.0A AC/DC
- 2.Voltage Rating : 5.0V AC/DC
- 3.Contact Resistance : 40m ohm max.
- 4.Insulation Resistance : 100M ohm min.
- 5.Withstanding Voltage : 100V AC for one minute
- 6.Operating Temperature Range : -40°C ~+105°C

► Material and Finish

- 1.Insulator : Hight Temp. Plastic (UL94V-0)
- 2.Contact : Copper Alloy
- 3.Plating : Gold Plated on Contact Area
- 4.Shell : Stainless Steel

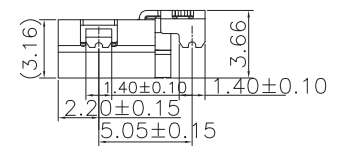
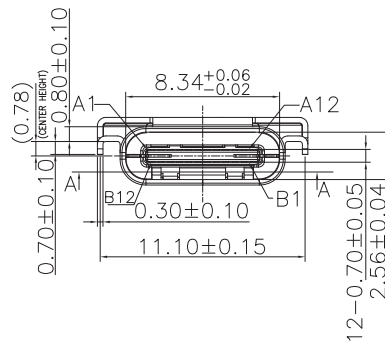


P.C.B Layout

Pin. No	Dim.A	Dim.B	Dim.C
5077CR-24-SMZA-BK-TR	10.0	7.75	6.2
5077CR-24-SMZB-BK-TR	8.65	6.4	4.85

Female Mid Mount, Hybrid Mount

5077CR-24-SMMA-BK-TR

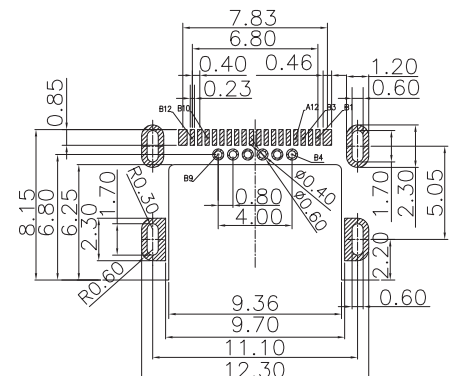
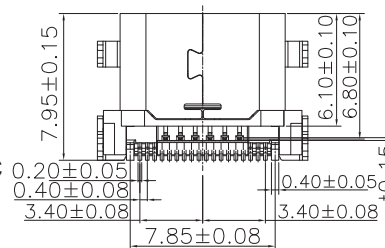


► Specifications

- 1.Current Rating : 5.0A AC/DC
- 2.Voltage Rating : 20V AC/DC
- 3.Contact Resistance : 40m ohm max.
- 4.Insulation Resistance : 100M ohm min.
- 5.Withstanding Voltage : 100V AC for one minute
- 6.Operating Temperature Range : -40°C ~+105°C

► Material and Finish

- 1.Insulator : Hight Temp. Plastic (UL94V-0)
- 2.Contact : Copper Alloy
- 3.Plating : Gold Plated on Contact Area
- 4.Shell : Stainless Steel

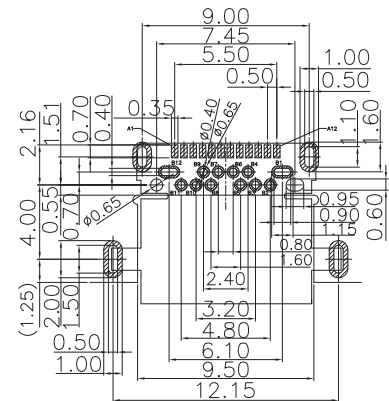
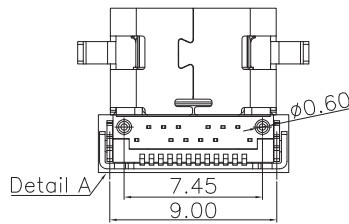
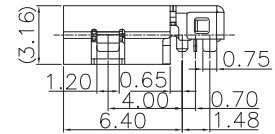
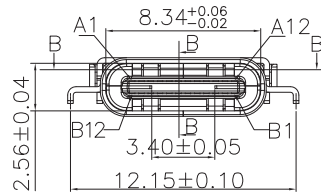


P.C.B Layout

USB Type-C Connector Right Angle Type

Female Mid Mount, Hybrid Mount

5077CR-24-SMM9-BK-TR



P.C.B Layout

► Specifications

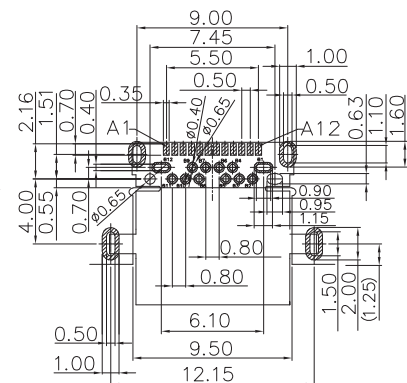
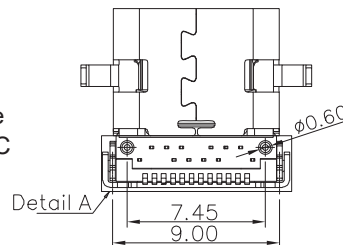
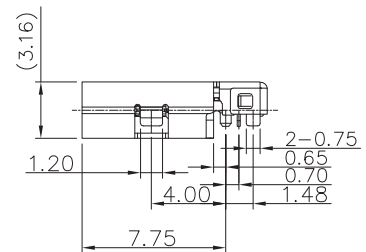
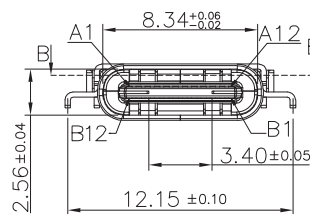
- 1.Current Rating : 5.0A AC/DC
- 2.Voltage Rating : 20V AC/DC
- 3.Contact Resistance : 40m ohm max.
- 4.Insulation Resistance : 100M ohm min.
- 5.Withstanding Voltage : 100V AC for one minute
- 6.Operating Temperature Range : -40°C ~+105°C

► Material and Finish

- 1.Insulator : Hight Temp. Plastic (UL94V-0)
- 2.Contact : Copper Alloy
- 3.Plating : Gold Plated on Contact Area
- 4.Shell : Stainless Steel

Female Mid Mount, Hybrid Mount

5077CR-24-SMM4-BK-TR



P.C.B Layout

► Specifications

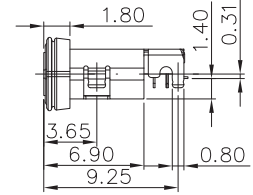
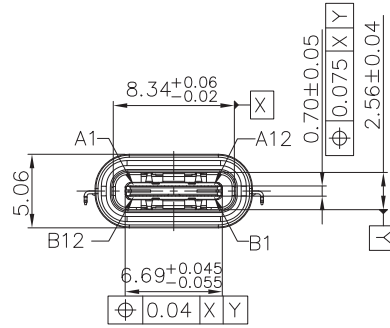
- 1.Current Rating : 5.0A AC/DC
- 2.Voltage Rating : 20V AC/DC
- 3.Contact Resistance : 40m ohm max.
- 4.Insulation Resistance : 100M ohm min.
- 5.Withstanding Voltage : 100V AC for one minute
- 6.Operating Temperature Range : -40°C ~+105°C

► Material and Finish

- 1.Insulator : Hight Temp. Plastic (UL94V-0)
- 2.Contact : Copper Alloy
- 3.Plating : Gold Plated on Contact Area
- 4.Shell : Stainless Steel

USB Type-C Connector Right Angle Type

Female Mid Mount, Hybrid Mount, Waterproof **5077CR-24-SMM8-BK-WP-TR**

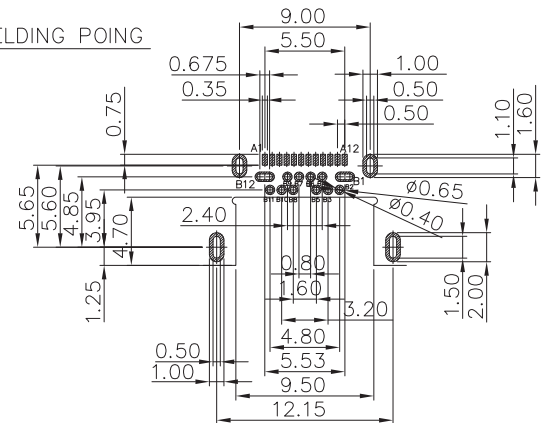
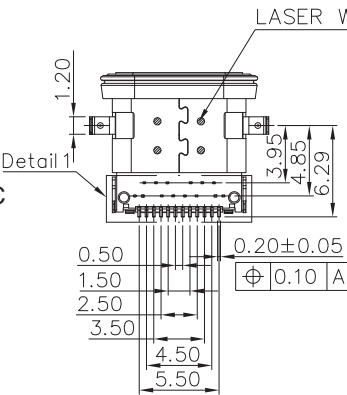


► Specifications

1. Current Rating : 5.0A AC/DC
2. Voltage Rating : 100V AC/DC
3. Contact Resistance : 40m ohm max.
4. Insulation Resistance : 100M ohm min.
5. Withstanding Voltage : 100V AC for one minute
6. Operating Temperature Range : -40°C ~+105°C

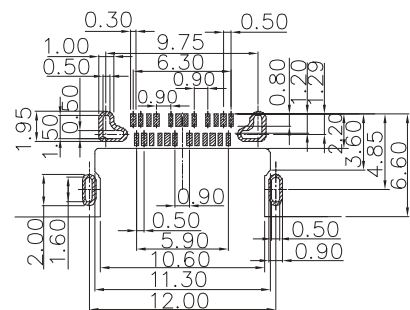
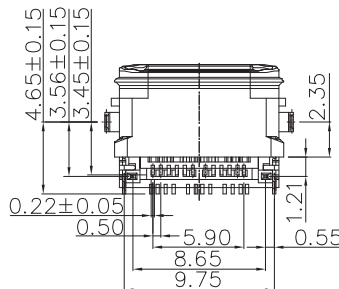
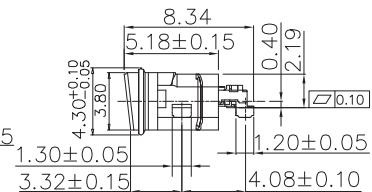
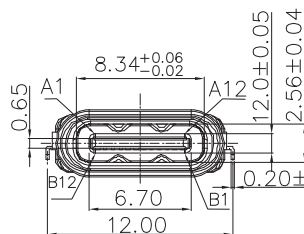
► Material and Finish

1. Insulator : High Temp. Plastic (UL94V-0)
2. Contact : Copper Alloy
3. Plating : Gold Plated on Contact Area
4. Shell : Stainless Steel



P.C.B Layout

Female Mid Mount, Dual Row, Surface Mount, Waterproof **5077CR-24-SMC13-BK-WP-TR**



P.C.B Layout

► Specifications

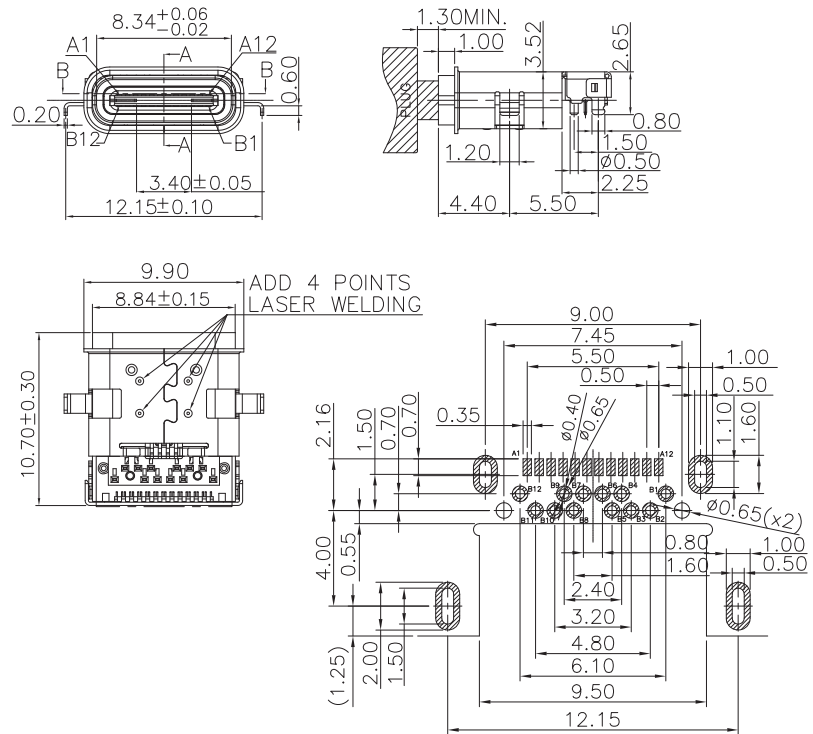
1. Current Rating : 5.0A AC/DC
2. Voltage Rating : 100V AC/DC
3. Contact Resistance : 40m ohm max.
4. Insulation Resistance : 100M ohm min.
5. Withstanding Voltage : 100V AC for one minute
6. Operating Temperature Range : -40°C ~+105°C

► Material and Finish

1. Insulator : High Temp. Plastic (UL94V-0)
2. Contact : Copper Alloy
3. Plating : Gold Plated on Contact Area
4. Shell : Stainless Steel

USB Type-C Connector Right Angle & Straight Type

Female Mid Mount, Hybrid Mount, Waterproof **5077CR-24-SMC12-BK-WP-TR**



P.C.B Layout

► Specifications

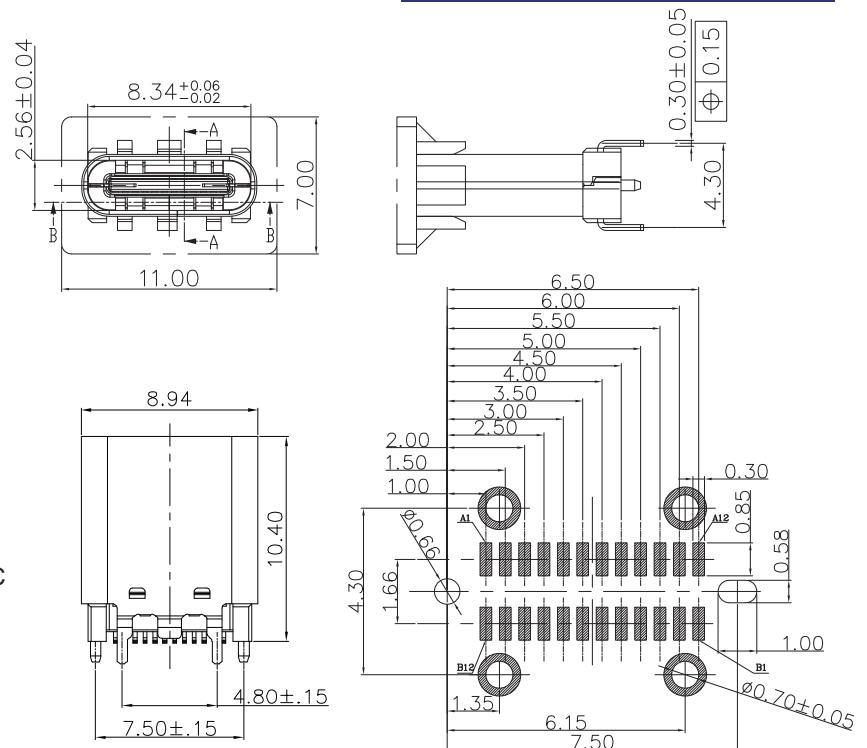
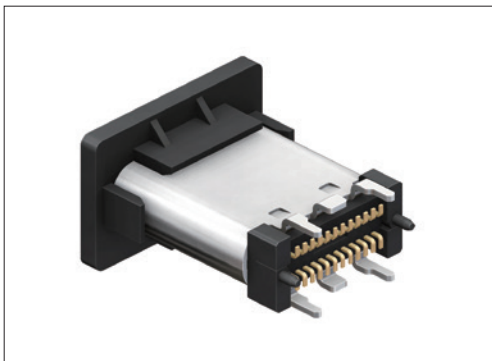
- 1.Current Rating : 5.0A AC/DC
- 2.Voltage Rating : 30V AC/DC
- 3.Contact Resistance : 40m ohm max.
- 4.Insulation Resistance : 100M ohm min.
- 5.Withstanding Voltage : 100V AC for one minute
- 6.Operating Temperature Range : -40°C ~+105°C

► Material and Finish

- 1.Insulator : Hight Temp. Plastic (UL94V-0)
- 2.Contact : Copper Alloy
- 3.Plating : Gold Plated on Contact Area
- 4.Shell : Stainless Steel

Female SMD L=10.4mm

5077CS-24-SMC1-BK-CR



P.C.B Layout

► Specifications

- 1.Current Rating : 5.0A AC/DC
- 2.Voltage Rating : 5.0V AC/DC
- 3.Contact Resistance : 40m ohm max.
- 4.Insulation Resistance : 100M ohm min.
- 5.Withstanding Voltage : 100V AC for one minute
- 6.Operating Temperature Range : -40°C ~+105°C

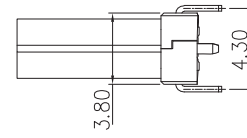
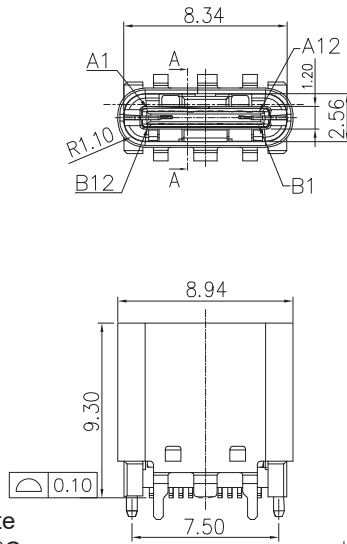
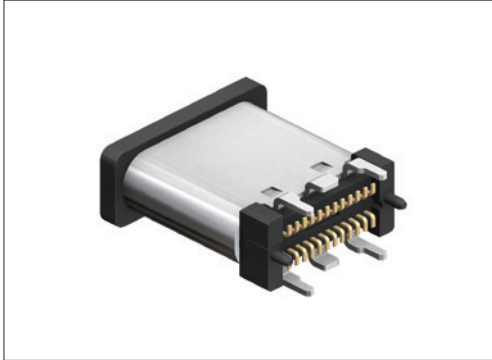
► Material and Finish

- 1.Insulator : Hight Temp. Plastic (UL94V-0)
- 2.Contact : Copper Alloy
- 3.Plating : Gold Plated on Contact Area
- 4.Shell : Stainless Steel

USB Type-C Connector Straight & Clip Type

Female SMD L=9.3mm

5077CS-24-SMC2-BK-CR

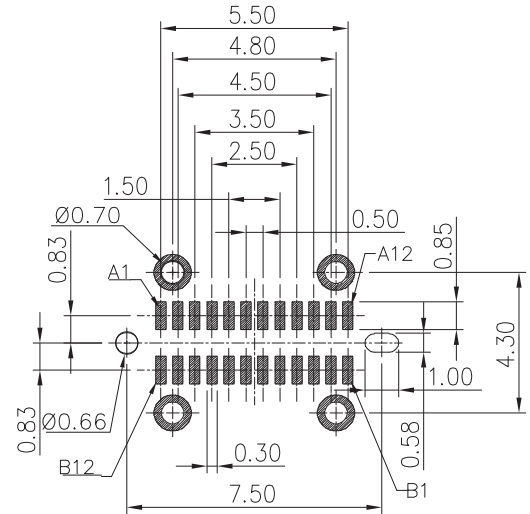


► Specifications

1. Current Rating : 3.0A AC/DC
2. Voltage Rating : 100V AC/DC
3. Contact Resistance : 40m ohm max.
4. Insulation Resistance : 100M ohm min.
5. Withstanding Voltage : 100V AC for one minute
6. Operating Temperature Range : -40°C ~+105°C

► Material and Finish

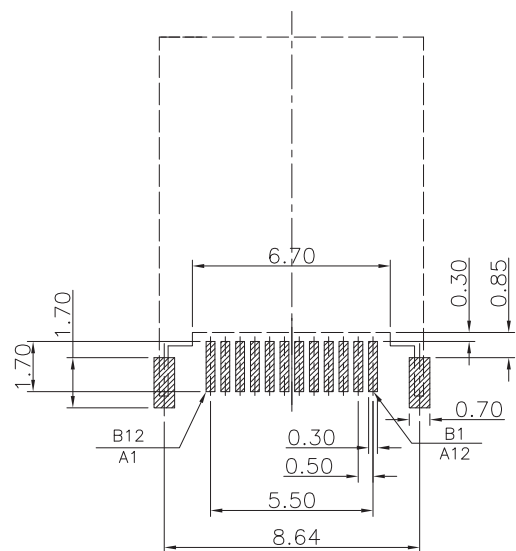
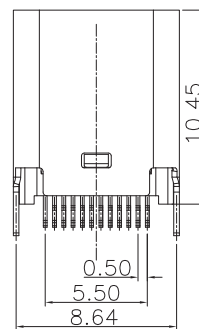
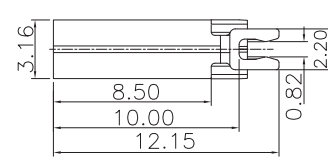
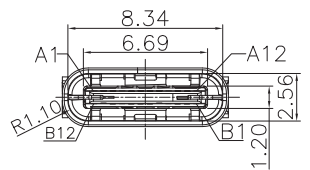
1. Insulator : High Temp. Plastic (UL94V-0)
2. Contact : Copper Alloy
3. Plating : Gold Plated on Contact Area
4. Shell : Stainless Steel



P.C.B Layout

Female Type For Cable

5077CS-24-C1-BK



► Specifications

1. Current Rating : 3.0A AC/DC
2. Voltage Rating : 100V AC/DC
3. Contact Resistance : 40m ohm max.
4. Insulation Resistance : 100M ohm min.
5. Withstanding Voltage : 100V AC for one minute
6. Operating Temperature Range : -40°C ~+105°C

► Material and Finish

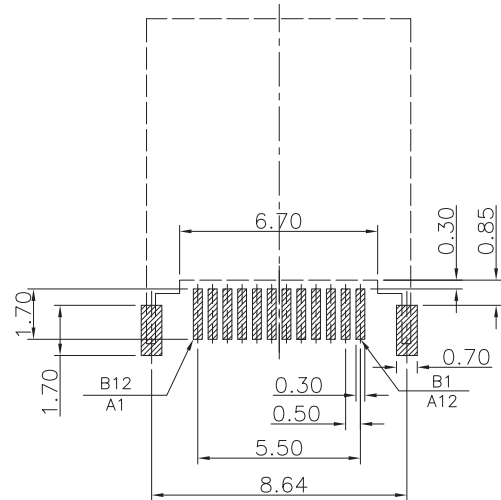
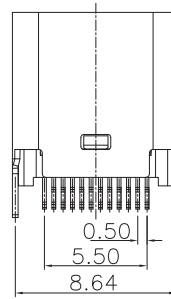
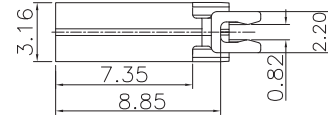
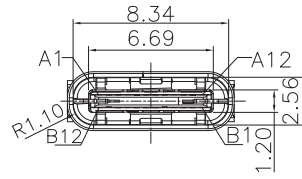
1. Insulator : High Temp. Plastic (UL94V-0)
2. Contact : Copper Alloy
3. Plating : Gold Plated on Contact Area
4. Shell : Stainless Steel

P.C.B Layout

USB Type-C Connector Clip Type

Female Type For Cable

5077CS-24-C2-BK



P.C.B Layout

► Specifications

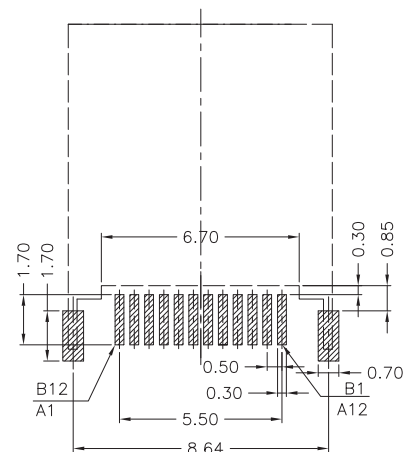
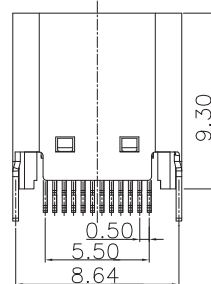
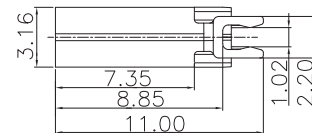
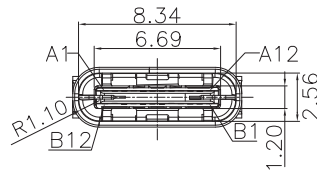
- 1.Current Rating : 3.0A AC/DC
- 2.Voltage Rating : 100V AC/DC
- 3.Contact Resistance : 40m ohm max.
- 4.Insulation Resistance : 100M ohm min.
- 5.Withstanding Voltage : 100V AC for one minute
- 6.Operating Temperature Range : -40°C ~+105°C

► Material and Finish

- 1.Insulator : Hight Temp. Plastic (UL94V-0)
- 2.Contact : Copper Alloy
- 3.Plating : Gold Plated on Contact Area
- 4.Shell : Stainless Steel

Female Type For Cable

5077CS-24-C4-BK



P.C.B Layout

► Specifications

- 1.Current Rating : 3.0A AC/DC
- 2.Voltage Rating : 100V AC/DC
- 3.Contact Resistance : 40m ohm max.
- 4.Insulation Resistance : 100M ohm min.
- 5.Withstanding Voltage : 100V AC for one minute
- 6.Operating Temperature Range : -40°C ~+105°C

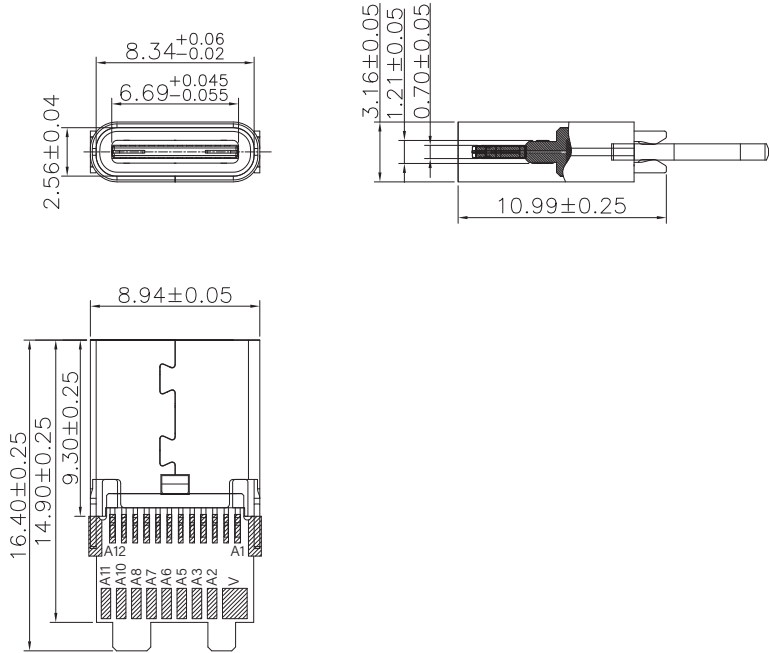
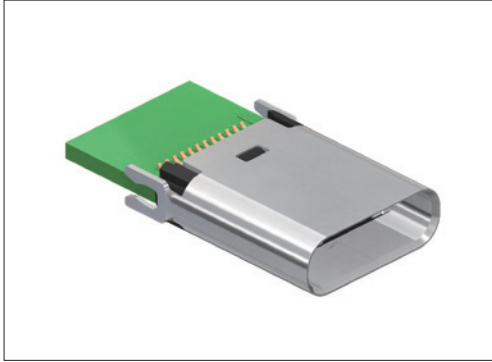
► Material and Finish

- 1.Insulator : Hight Temp. Plastic (UL94V-0)
- 2.Contact : Copper Alloy
- 3.Plating : Gold Plated on Contact Area
- 4.Shell : Stainless Steel, Nickel Plated

USB Type-C Connector Clip Type

Female Type For PCB Board

5077CS-24-C6-BK



► Specifications

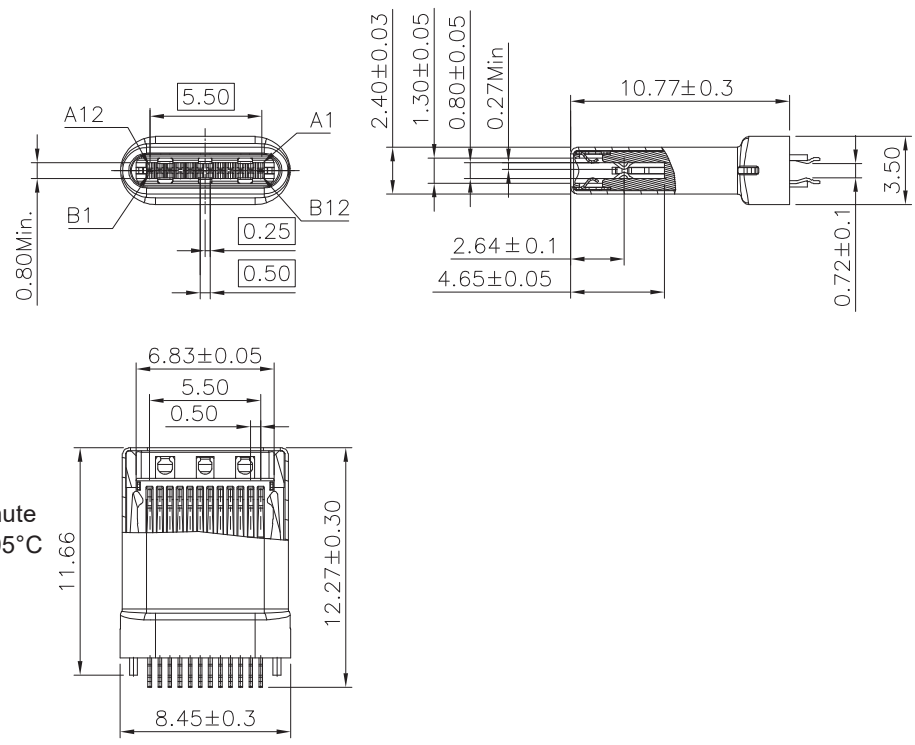
1. Current Rating : 1.25A AC/DC
2. Voltage Rating : 100V AC/DC
3. Contact Resistance : 40m ohm max.
4. Insulation Resistance : 100M ohm min.
5. Withstanding Voltage : 100V AC for one minute
6. Operating Temperature Range : -40°C ~ +105°C

► Material and Finish

1. Insulator : High Temp. Plastic (UL94V-0)
2. Contact : Copper Alloy
3. Plating : Gold Plated on Contact Area
4. Shell : Stainless Steel

USB C Male Type For Cable

5077CP-24-CLP



► Specifications

1. Current Rating : 5.0A AC/DC
2. Voltage Rating : 5.0V AC/DC
3. Contact Resistance : 40m ohm max.
4. Insulation Resistance : 100M ohm min.
5. Withstanding Voltage : 100V AC for one minute
6. Operating Temperature Range : -40°C ~ +105°C

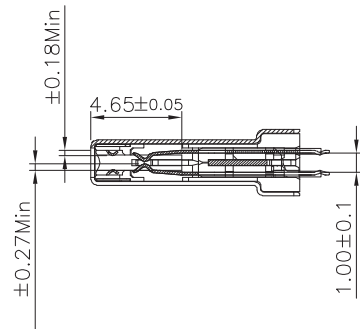
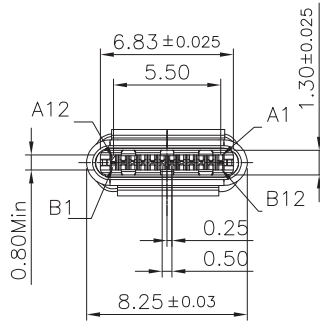
► Material and Finish

1. Insulator : High Temp. Plastic (UL94V-0)
2. Contact : Copper Alloy
3. Plating : Gold Plated on Contact Area
4. Shell : Stainless Steel
5. EMI Spring : Stainless Steel

USB Type-C Connector Clip Type

USB C Male Type For Cable

5077CP-24-CLP1

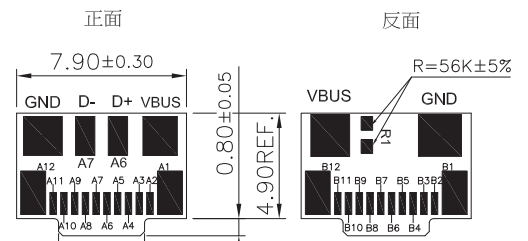
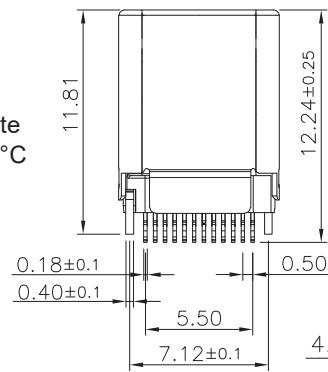


► Specifications

- 1.Current Rating : 5.0A AC/DC
- 2.Voltage Rating : 5.0V AC/DC
- 3.Contact Resistance : 40m ohm max.
- 4.Insulation Resistance : 100M ohm min.
- 5.Withstanding Voltage : 100V AC for one minute
- 6.Operating Temperature Range : -40°C ~+105°C

► Material and Finish

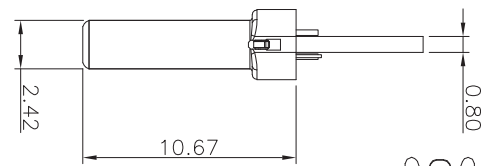
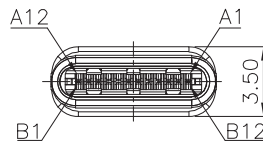
- 1.Insulator : Hight Temp. Plastic (UL94V-0)
- 2.Contact : Copper Alloy
- 3.Plating : Gold Plated on Contact Area
- 4.Shell : Stainless Steel
- 5.Emi Spring : Stainless Steel



P.C.B Layout

USB C Male Type For Wire Clip Shell

5077CP-24-02-02

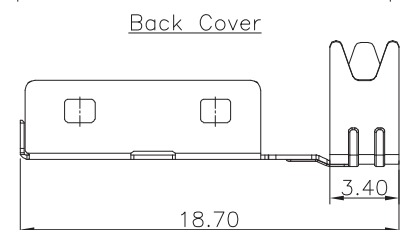
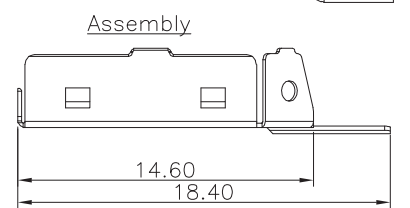
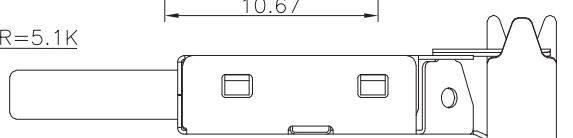
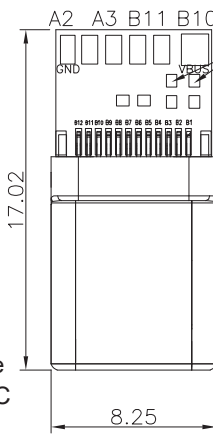


► Specifications

- 1.Current Rating : 3.0A AC/DC
- 2.Voltage Rating : 5.0V AC/DC
- 3.Contact Resistance : 30m ohm max.
- 4.Insulation Resistance : 100M ohm min.
- 5.Withstanding Voltage : 250V AC for one minute
- 6.Operating Temperature Range : -40°C ~+105°C

► Material and Finish

- 1.Insulator : Hight Temp. Plastic (UL94V-0)
- 2.Contact : Copper Alloy
- 3.Plating : Gold Plated on Contact Area
- 4.Shell : Stainless Steel, Nickel Plated
- 5.EMI Spring : Stainless Steel

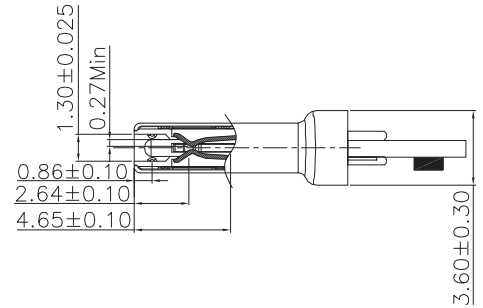
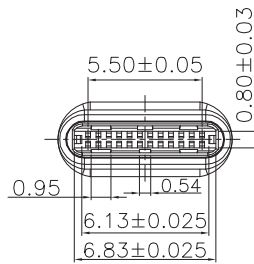


P.C.B Layout

USB Type-C Connector Clip Type

USB C Male Type For PCB Board

5077CP-24-C5-BK

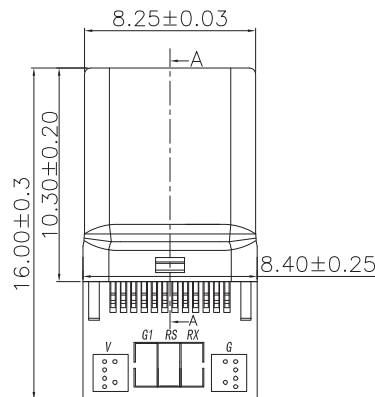


► Specifications

- 1.Current Rating : 2.0A AC/DC
- 2.Voltage Rating : 20V AC/DC
- 3.Contact Resistance : 40m ohm max.
- 4.Insulation Resistance : 100M ohm min.
- 5.Withstanding Voltage : 100V AC for one minute
- 6.Operating Temperature Range : -40°C ~+105°C

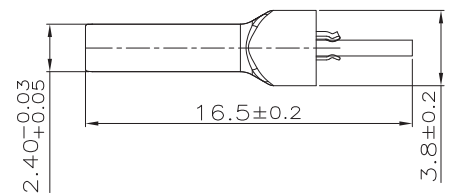
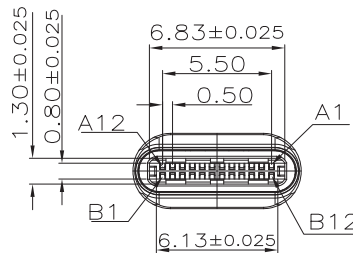
► Material and Finish

- 1.Insulator : Hight Temp. Plastic (UL94V-0)
- 2.Contact : Copper Alloy
- 3.Plating : Gold Plated on Contact Area
- 4.Shell : Copper Alloy



Male Type For PCB Board

5077CP-24-C8-BK

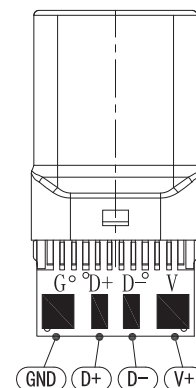
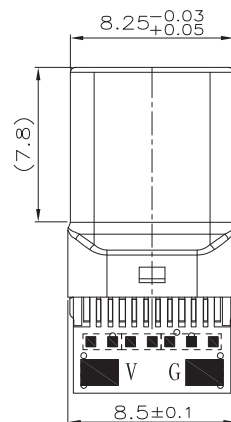


► Specifications

- 1.Current Rating : 3.0A AC/DC
- 2.Voltage Rating : 5.0V AC/DC
- 3.Contact Resistance : 30m ohm max.
- 4.Insulation Resistance : 100M ohm min.
- 5.Withstanding Voltage : 250V AC for one minute
- 6.Operating Temperature Range : -40°C ~+105°C

► Material and Finish

- 1.Insulator : Hight Temp. Plastic (UL94V-0)
- 2.Contact : Copper Alloy
- 3.Plating : Gold Plated on Contact Area
- 4.Shell : Stainless Steel, Nickel Plated

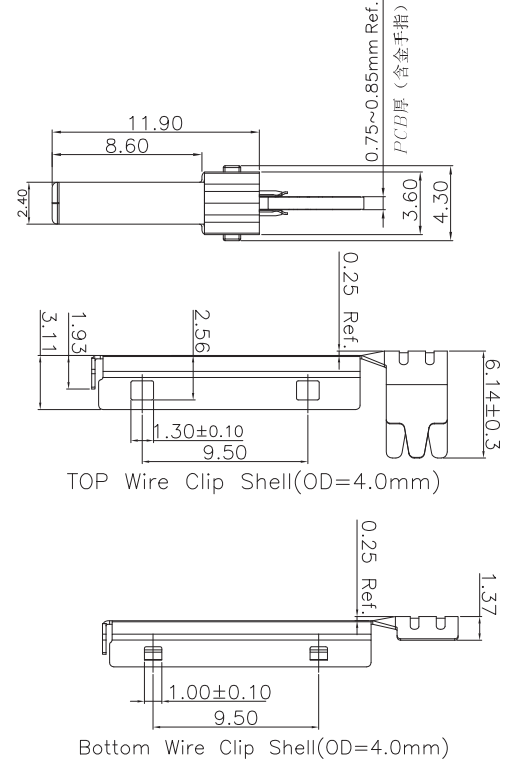
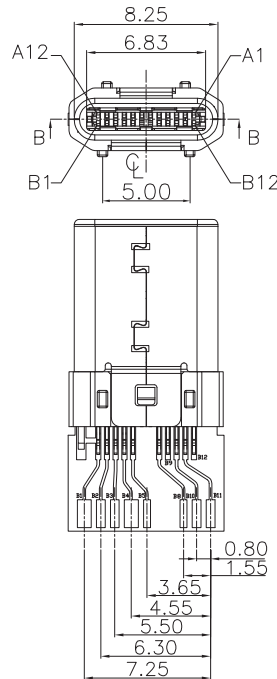


P.C.B Layout

USB Type-C Connector Clip & Right Angle Type

Male Type For Wire Clip Shell

5077CP-02-02



► Specifications

1. Current Rating : 2.0A AC/DC
2. Voltage Rating : 100V AC/DC
3. Contact Resistance : 50m ohm max.
4. Insulation Resistance : 100M ohm min.
5. Withstanding Voltage : 100V AC for one minute
6. Operating Temperature Range : -40°C ~+105°C

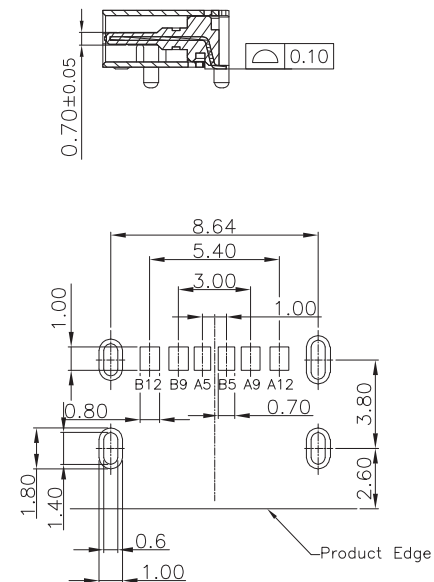
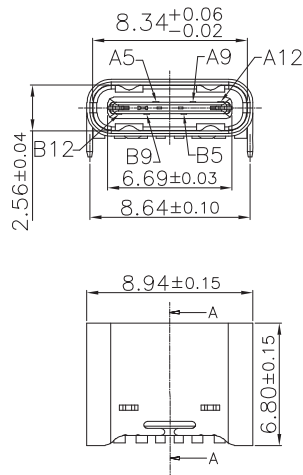
► Material and Finish

1. Insulator : Hight Temp. Plastic (UL94V-0)
2. Contact : Copper Alloy
3. Plating : Gold Plated on Contact Area
4. Shell : Stainless Steel

P.C.B Layout

Female Top Mount, Single Row, Surface Mount

5077CR-06-SM-BK-TR



► Specifications

1. Current Rating : 5.0A AC/DC
2. Voltage Rating : 20V AC/DC
3. Contact Resistance : 40m ohm max.
4. Insulation Resistance : 100M ohm min.
5. Withstanding Voltage : 100V AC for one minute
6. Operating Temperature Range : -40°C ~+105°C

► Material and Finish

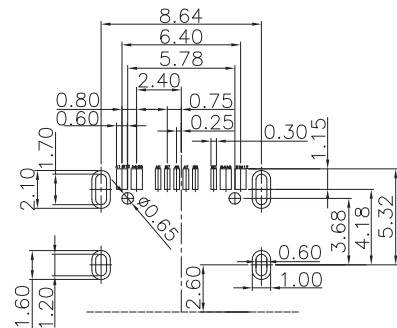
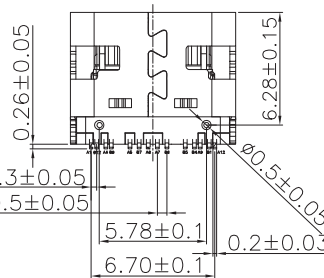
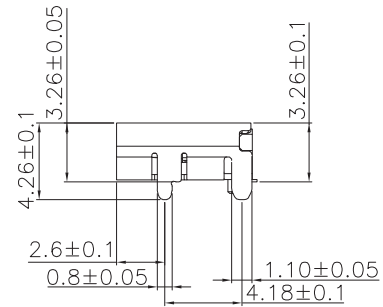
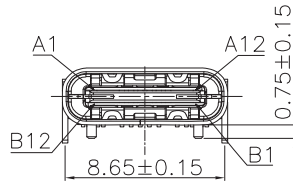
1. Insulator : Hight Temp. Plastic (UL94V-0)
2. Contact : Copper Alloy
3. Plating : Gold Plated on Contact Area
4. Shell : Stainless Steel

P.C.B Layout

USB Type-C Connector Right Angle Type

Female Top Mount, Single Row, Surface Mount

5077CR-14-SM-BK-TR



► Specifications

1. Current Rating : 3.0A AC/DC
2. Voltage Rating : 100V AC/DC
3. Contact Resistance : 40m ohm max.
4. Insulation Resistance : 100M ohm min.
5. Withstanding Voltage : 100V AC for one minute
6. Operating Temperature Range : -40°C ~+105°C

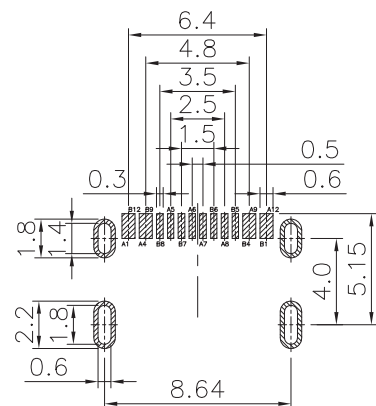
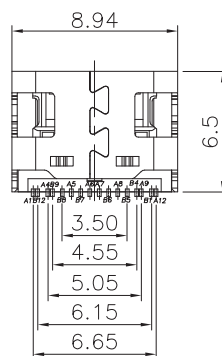
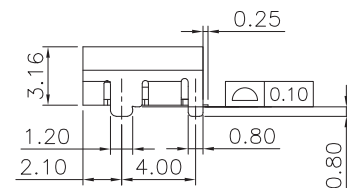
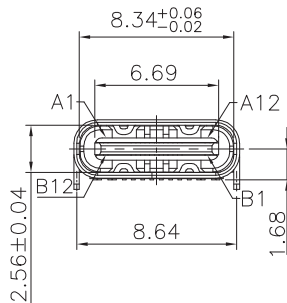
► Material and Finish

1. Insulator : High Temp. Plastic (UL94V-0)
2. Contact : Copper Alloy
3. Plating : Gold Plated on Contact Area
4. Shell : Stainless Steel

P.C.B Layout

Female Top Mount, Single Row, Surface Mount

5077CR-16-SM-BK-TR



► Specifications

1. Current Rating : 5.0A AC/DC
2. Voltage Rating : 5.0V AC/DC
3. Contact Resistance : 40m ohm max.
4. Insulation Resistance : 100M ohm min.
5. Withstanding Voltage : 100V AC for one minute
6. Operating Temperature Range : -40°C ~+105°C

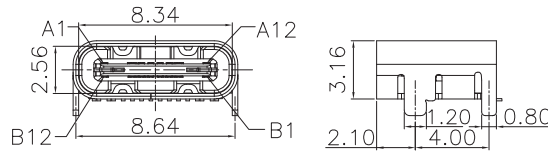
► Material and Finish

1. Insulator : High Temp. Plastic (UL94V-0)
2. Contact : Copper Alloy
3. Plating : Gold Plated on Contact Area
4. Shell : Stainless Steel

P.C.B Layout

USB Type-C Connector Right Angle Type

Female Top Mount, Single Row, Surface Mount **5077CR-16-SMA2-BK-TR**

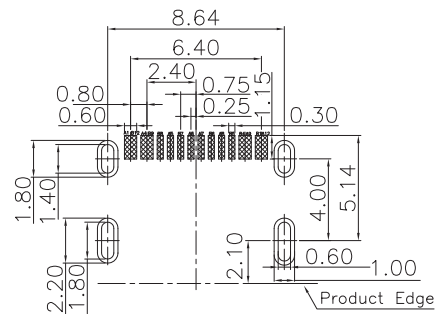
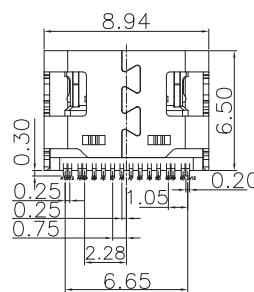


► Specifications

1. Current Rating : 3.0A AC/DC
2. Voltage Rating : 100V AC/DC
3. Contact Resistance : 40m ohm max.
4. Insulation Resistance : 100M ohm min.
5. Withstanding Voltage : 100V AC for one minute
6. Operating Temperature Range : -40°C ~+105°C

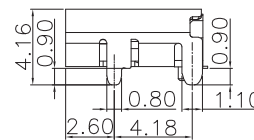
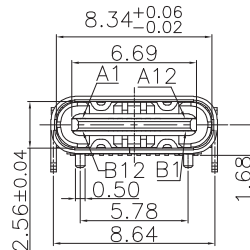
► Material and Finish

1. Insulator : Hight Temp. Plastic (UL94V-0)
2. Contact : Copper Alloy
3. Plating : Gold Plated on Contact Area
4. Shell : Stainless Steel



P.C.B Layout

Female Top Mount, Single Row, Surface Mount **5077CR-16-SMC2-BK-TR**

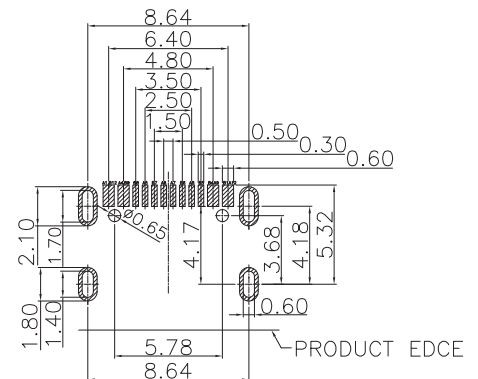
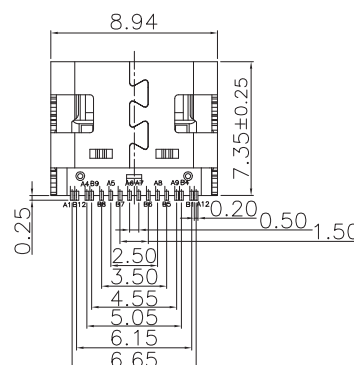


► Specifications

1. Current Rating : 5.0A AC/DC
2. Voltage Rating : 5.0V AC/DC
3. Contact Resistance : 40m ohm max.
4. Insulation Resistance : 100M ohm min.
5. Withstanding Voltage : 100V AC for one minute
6. Operating Temperature Range : -40°C ~+105°C

► Material and Finish

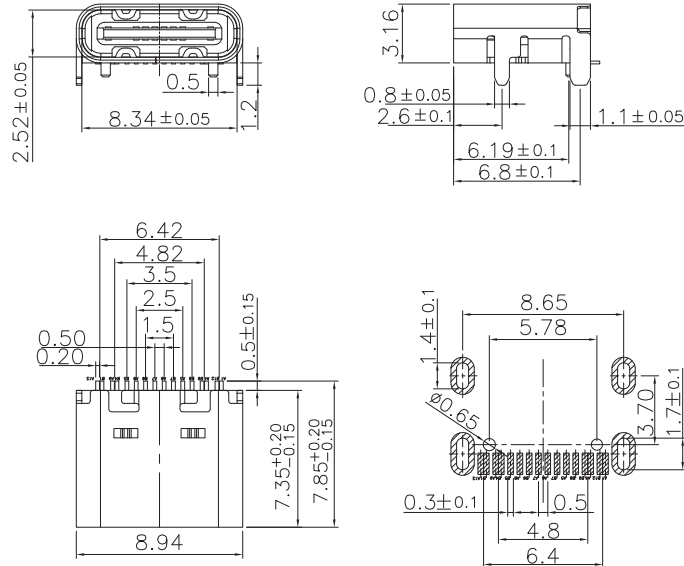
1. Insulator : Hight Temp. Plastic (UL94V-0)
2. Contact : Copper Alloy
3. Plating : Gold Plated on Contact Area
4. Shell : Stainless Steel



P.C.B Layout

USB Type-C Connector Right Angle Type

Female Top Mount, Single Row, Surface Mount **5077CR-16-SMC2A-BK-TR**



► Specifications

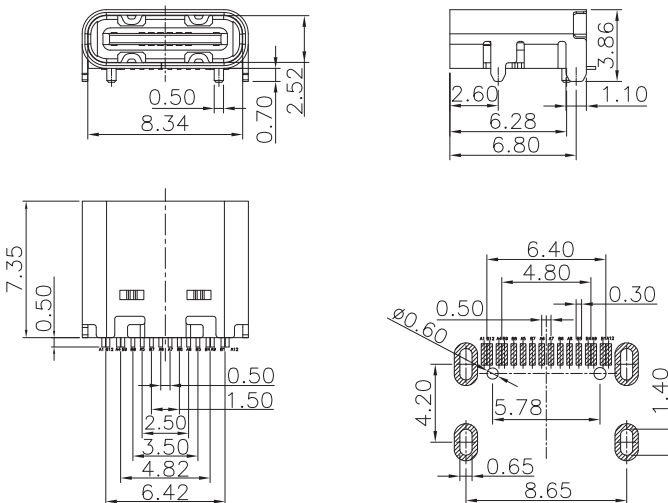
1. Current Rating : 3.0A AC/DC
2. Voltage Rating : 20V AC/DC
3. Contact Resistance : 1000m ohm max.
4. Insulation Resistance : 100M ohm min.
5. Withstanding Voltage : 100V AC for one minute
6. Operating Temperature Range : -40°C ~+105°C

► Material and Finish

1. Insulator : Hight Temp. Plastic (UL94V-0)
2. Contact : Copper Alloy
3. Plating : Gold Plated on Contact Area
4. Shell : Stainless Steel

P.C.B Layout

Female Top Mount, Single Row, Surface Mount **5077CR-16-SMC2B-BK-TR**



► Specifications

1. Current Rating : 5.0A AC/DC
2. Voltage Rating : 100V AC/DC
3. Contact Resistance : 40m ohm max.
4. Insulation Resistance : 100M ohm min.
5. Withstanding Voltage : 100V AC for one minute
6. Operating Temperature Range : -40°C ~+105°C

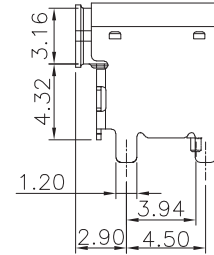
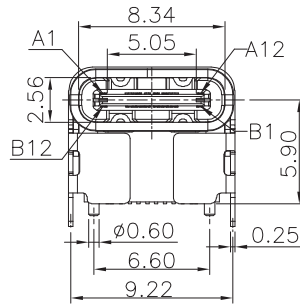
► Material and Finish

1. Insulator : Hight Temp. Plastic (UL94V-0)
2. Contact : Copper Alloy
3. Plating : Gold Plated on Contact Area
4. Shell : Stainless Steel

P.C.B Layout

USB Type-C Connector Right Angle Type

Female Top Mount, Single Row, Surface Mount, Stand Off 4.3mm **5077CR-16-SMS43-BK-TR**

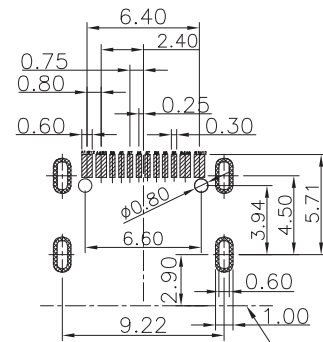
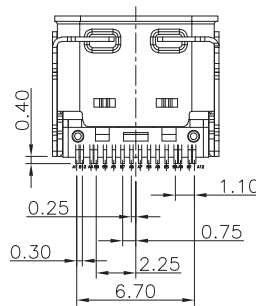


► Specifications

1. Current Rating : 5.0A AC/DC
2. Voltage Rating : 100V AC/DC
3. Contact Resistance : 40m ohm max.
4. Insulation Resistance : 100M ohm min.
5. Withstanding Voltage : 100V AC for one minute
6. Operating Temperature Range : -40°C ~+105°C

► Material and Finish

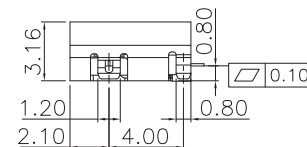
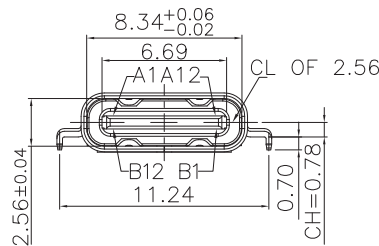
1. Insulator : Hight Temp. Plastic (UL94V-0)
2. Contact : Copper Alloy
3. Plating : Gold Plated on Contact Area
4. Shell : Stainless Steel



P.C.B Layout

Product Edge

Female Mid Mount, Single Row, Surface Mount **5077CR-16-SMM1-BK-TR**

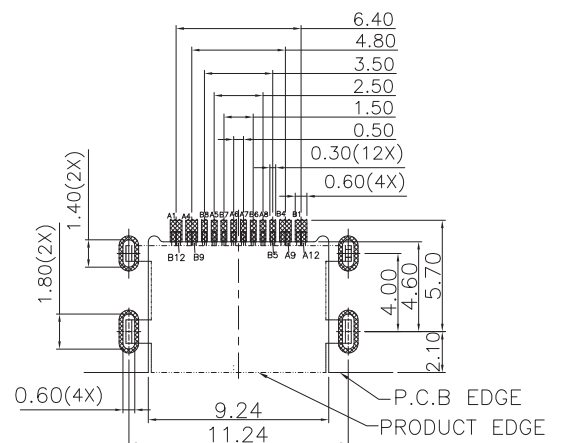
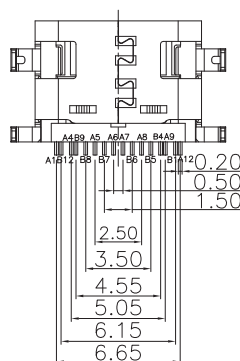


► Specifications

1. Current Rating : 3.0A AC/DC
2. Voltage Rating : 5.0V AC/DC
3. Contact Resistance : 40m ohm max.
4. Insulation Resistance : 100M ohm min.
5. Withstanding Voltage : 100V AC for one minute
6. Operating Temperature Range : -40°C ~+105°C

► Material and Finish

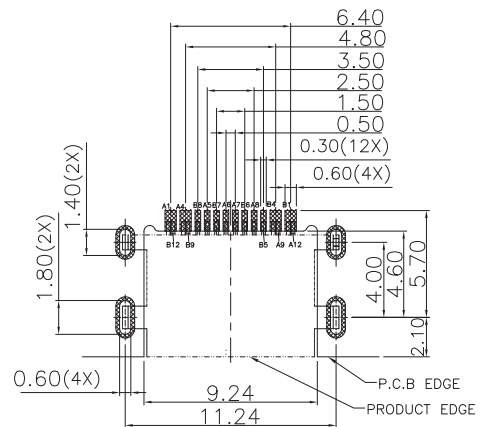
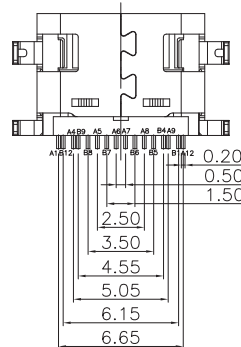
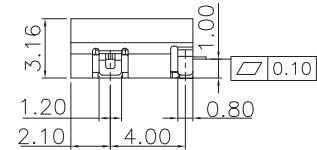
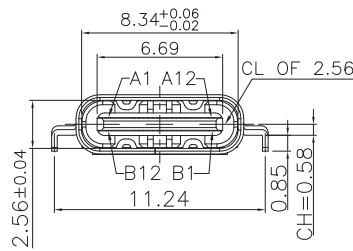
1. Insulator : Hight Temp. Plastic (UL94V-0)
2. Contact : Copper Alloy
3. Plating : Gold Plated on Contact Area
4. Shell : Stainless Steel



P.C.B Layout

USB Type-C Connector Right Angle Type

Female Mid Mount, Single Row, Surface Mount **5077CR-16-SMM2-BK-TR**



P.C.B Layout

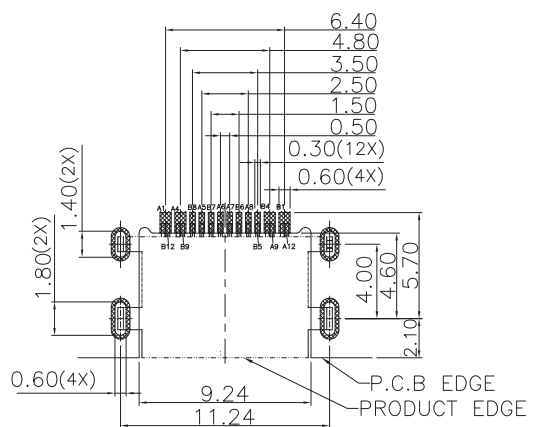
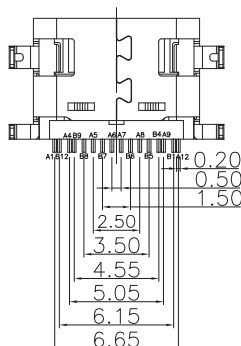
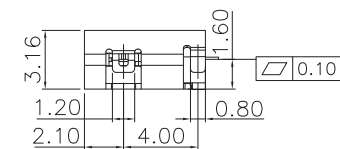
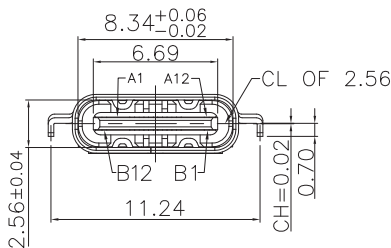
► Specifications

1. Current Rating : 5.0A AC/DC
2. Voltage Rating : 5.0V AC/DC
3. Contact Resistance : 40m ohm. max.
4. Insulation Resistance : 100M ohm min.
5. Withstanding Voltage : 100V AC for one minute
6. Operating Temperature Range : -40°C ~+105°C

► Material and Finish

1. Insulator : Hight Temp. Plastic (UL94V-0)
2. Contact : Copper Alloy
3. Plating : Gold Plated on Contact Area
4. Shell : Stainless Steel

Female Mid Mount, Single Row, Surface Mount **5077CR-16-SMM3-BK-TR**



P.C.B Layout

► Specifications

1. Current Rating : 3.0A AC/DC
2. Voltage Rating : 5.0V AC/DC
3. Contact Resistance : 40m ohm max.
4. Insulation Resistance : 100M ohm min.
5. Withstanding Voltage : 100V AC for one minute
6. Operating Temperature Range : -40°C ~+105°C

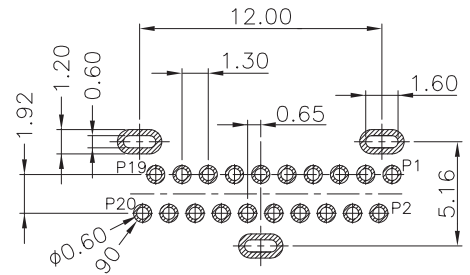
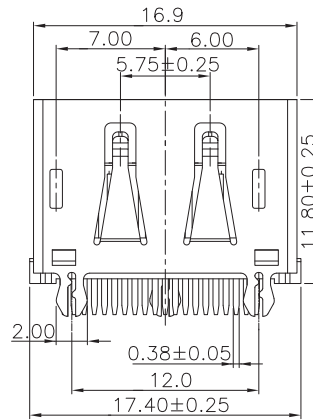
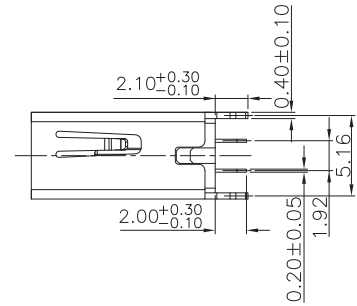
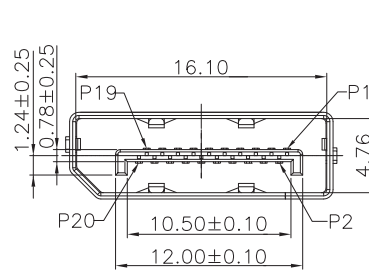
► Material and Finish

1. Insulator : Hight Temp. Plastic (UL94V-0)
2. Contact : Copper Alloy
3. Plating : Gold Plated on Contact Area
4. Shell : Stainless Steel

DisplayPort Connector Straight Type

Female Dip Type

5520SF-20SG-CR



► Specifications

- 1.Current Rating : 0.5A AC/DC
- 2.Voltage Rating : 40V AC/DC
- 3.Contact Resistance : 30m ohm max.
- 4.Insulation Resistance : 100M ohm min.
- 5.Withstanding Voltage : 500V AC for one minute
- 6.Operating Temperature Range : -40°C ~+105°C

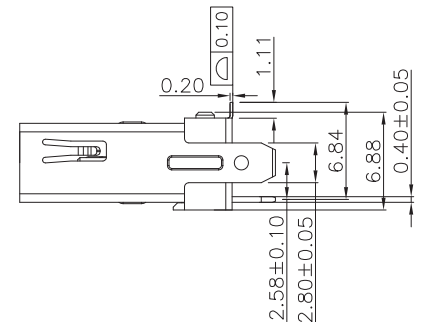
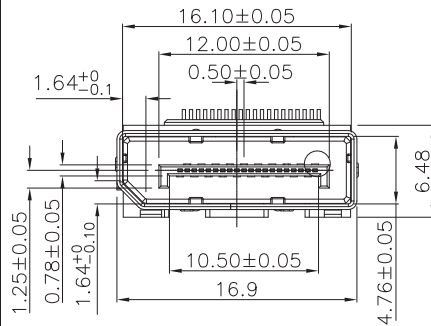
► Material and Finish

- 1.Insulator : Hight Temp. Plastic (UL94V-0)
- 2.Contact : Copper Alloy
- 3.Plating : Gold Plated on Contact Area
- 4.Shell : Stainless Steel

P.C.B Layout

Female Surface Mount

5520SF-20SG-SM-CR

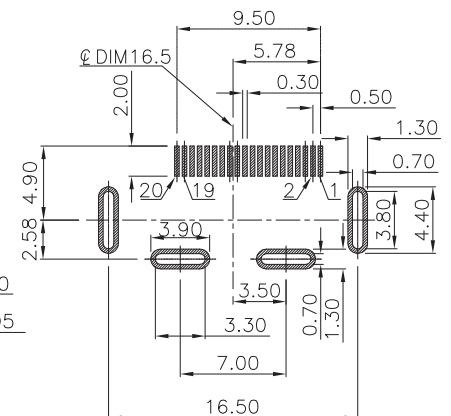
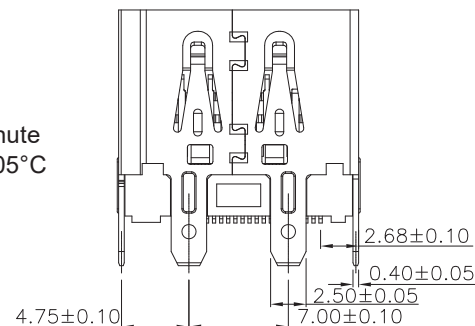


► Specifications

- 1.Current Rating :0.5A AC/DC
- 2.Voltage Rating :40V AC/DC
- 3.Contact Resistance : 30m ohm max.
- 4.Insulation Resistance : 100M ohm min.
- 5.Withstanding Voltage : 500V AC for one minute
- 6.Operating Temperature Range : -40°C ~+105°C

► Material and Finish

- 1.Insulator : Hight Temp. Plastic (UL94V-0)
- 2.Contact : Copper Alloy
- 3.Plating : Gold Plated on Contact Area
- 4.Shell : Stainless Steel

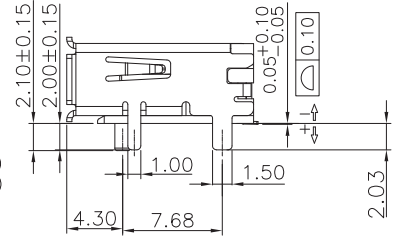
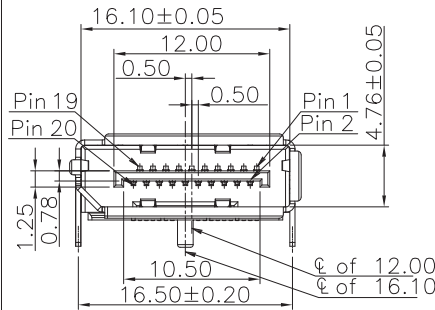


P.C.B Layout

DisplayPort & Micro HDMI Connector Right Angle Type

Female Surface Mount

5520RF-20SG-SMB

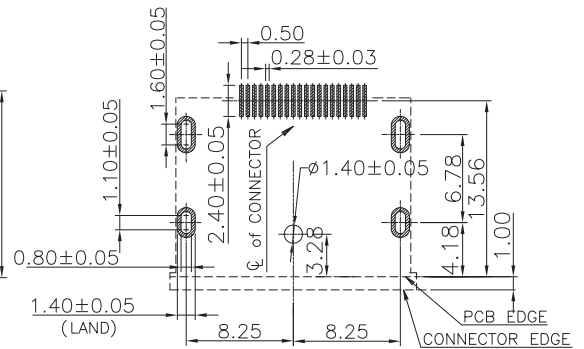
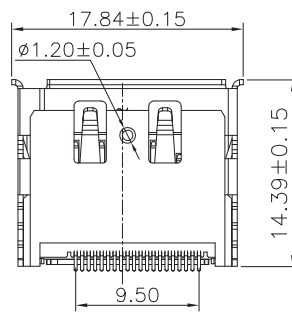


► Specifications

1. Current Rating : 0.5A AC/DC
2. Voltage Rating : 40V AC/DC
3. Contact Resistance : 30m ohm max.
4. Insulation Resistance : 100M ohm min.
5. Withstanding Voltage : 500V AC for one minute
6. Operating Temperature Range : -40°C ~+105°C

► Material and Finish

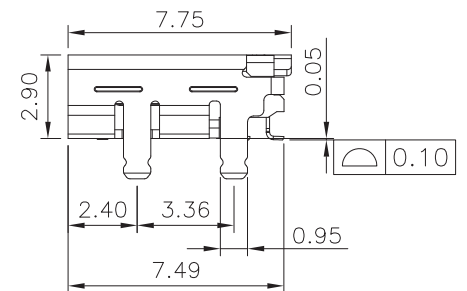
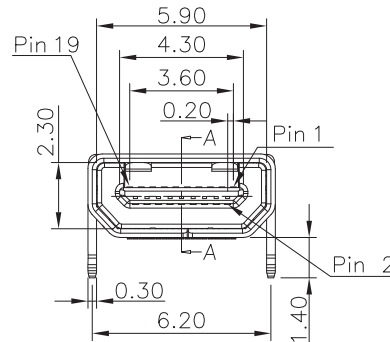
1. Insulator : High Temp. Plastic (UL94V-0)
2. Contact : Copper Alloy
3. Plating : Gold Plated on Contact Area
4. Shell : Copper Alloy, Gold Plated



P.C.B Layout

Female Surface Mount, With Through Hole Shell Tabs

5090MRD-19SG-SMA-TR

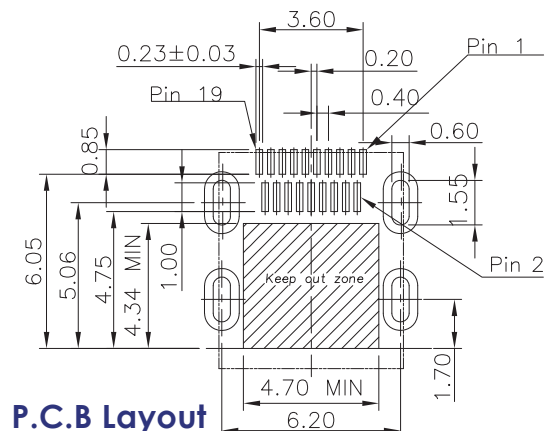
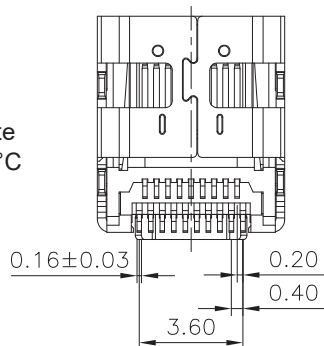


► Specifications

1. Current Rating : 0.5A AC/DC
2. Voltage Rating : 40V AC/DC
3. Contact Resistance : 30m ohm max.
4. Insulation Resistance : 100M ohm min.
5. Withstanding Voltage : 500V AC for one minute
6. Operating Temperature Range : -40°C ~+105°C

► Material and Finish

1. Insulator : High Temp. Plastic (UL94V-0)
2. Contact : Copper Alloy
3. Plating : Gold Plated on Contact Area
4. Shell : Stainless Steel, Nickel Plated

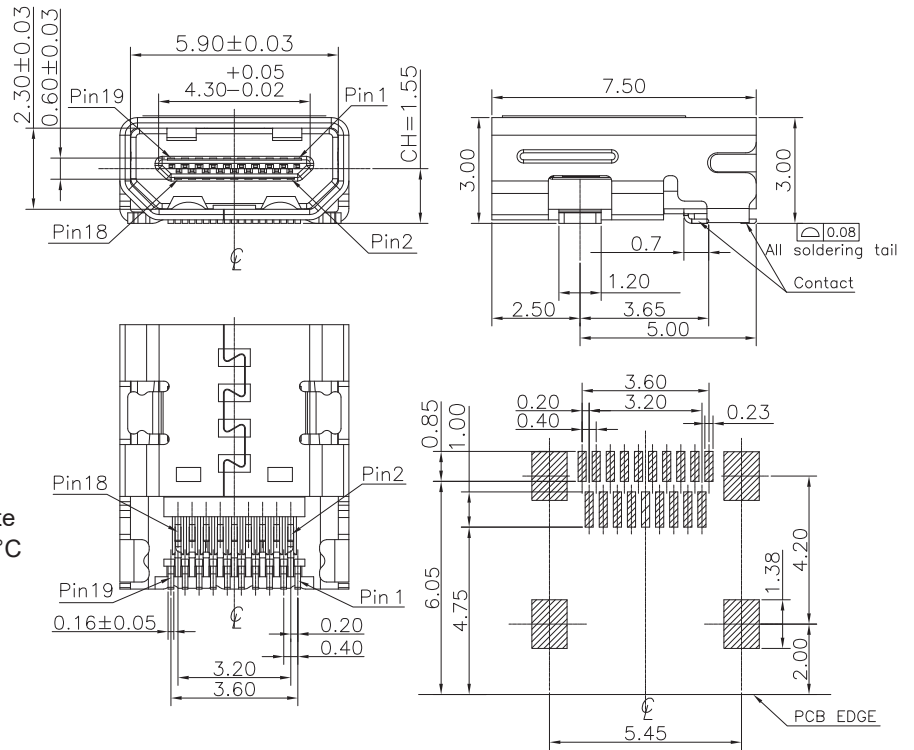
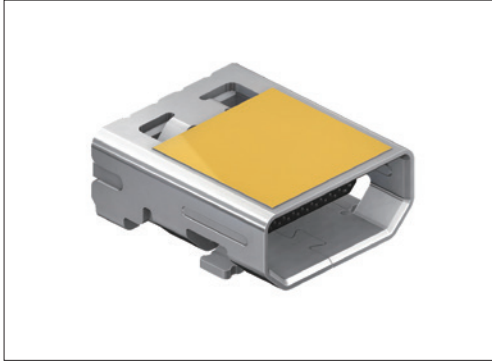


P.C.B Layout

Micro HDMI Connector Right Angle Type

Female Surface Mount

5090MRD-19SG-SMB-MCR



P.C.B Layout

► Specifications

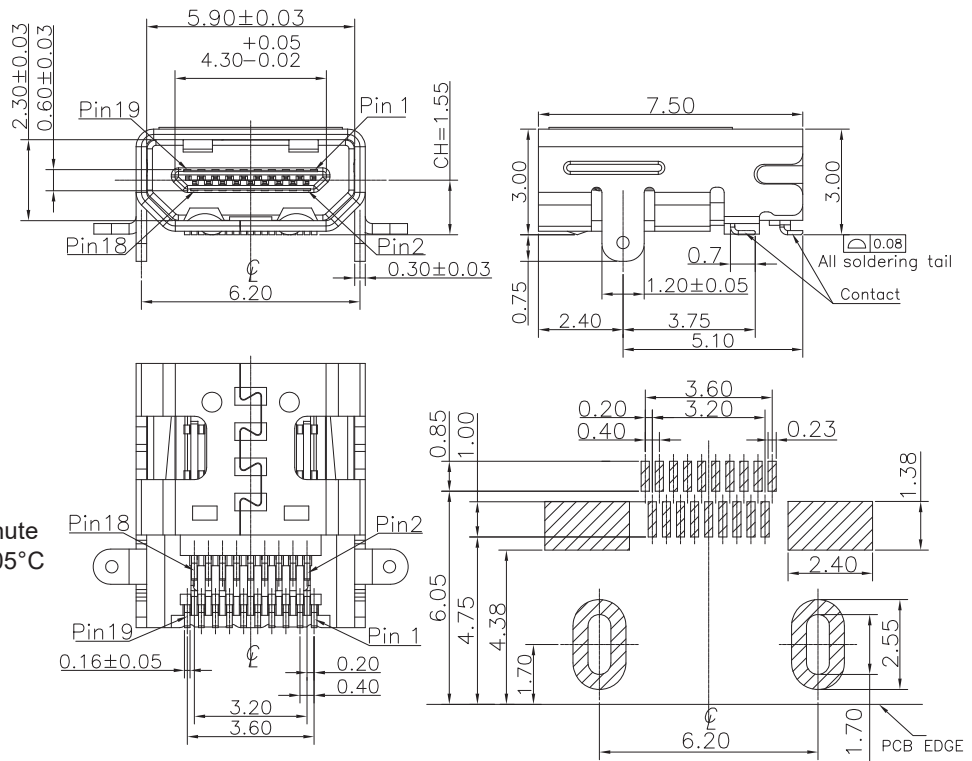
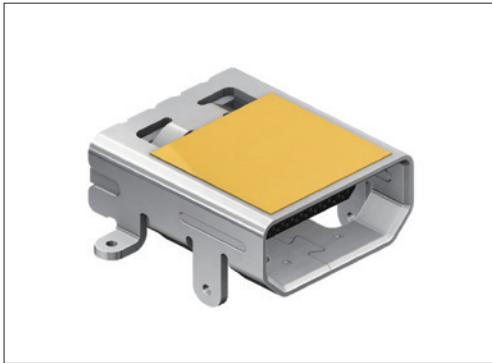
1. Current Rating : 0.3A AC/DC
2. Voltage Rating : 40V AC/DC
3. Contact Resistance : 30m ohm max.
4. Insulation Resistance : 100M ohm min.
5. Withstanding Voltage : 150V AC for one minute
6. Operating Temperature Range : $-40^{\circ}\text{C} \sim +105^{\circ}\text{C}$

► Material and Finish

1. Insulator : Hight Temp. Plastic (UL94V-0)
2. Contact : Copper Alloy
3. Plating : Gold Plated on Contact Area
4. Shell : Stainless Steel, Nickel Plated

Female Surface Mount, Hybrid Type Mount

5090MRD-19SG-SMC-MCR



P.C.B Layout

► Specifications

1. Current Rating : 0.3A AC/DC
2. Voltage Rating : 40V AC/DC
3. Contact Resistance : 30m ohm max.
4. Insulation Resistance : 100M ohm min.
5. Withstanding Voltage : 150V AC for one minute
6. Operating Temperature Range : $-40^{\circ}\text{C} \sim +105^{\circ}\text{C}$

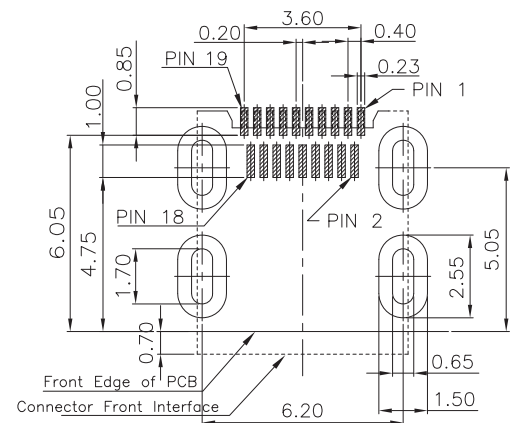
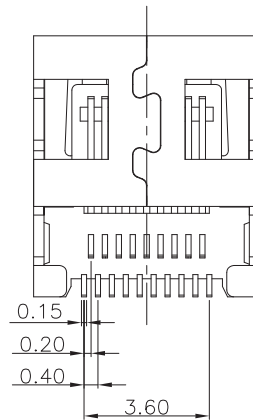
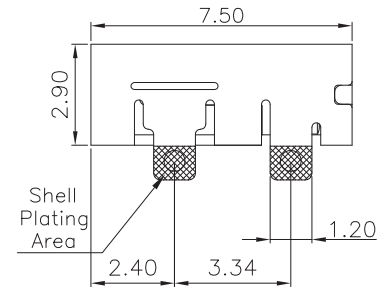
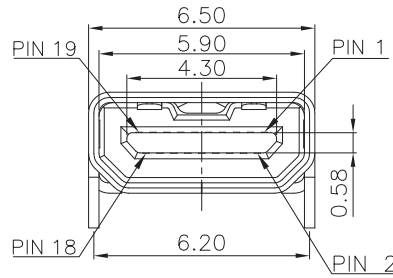
► Material and Finish

1. Insulator : Hight Temp. Plastic (UL94V-0)
2. Contact : Copper Alloy
3. Plating : Gold Plated on Contact Area
4. Shell : Stainless Steel, Nickel Plated

Micro HDMI & HDMI Connector Right Angle Type

Female Surface Mount, With Through Hole Shell Tabs

5090MRD-19SG-SM-TR



P.C.B Layout

► Specifications

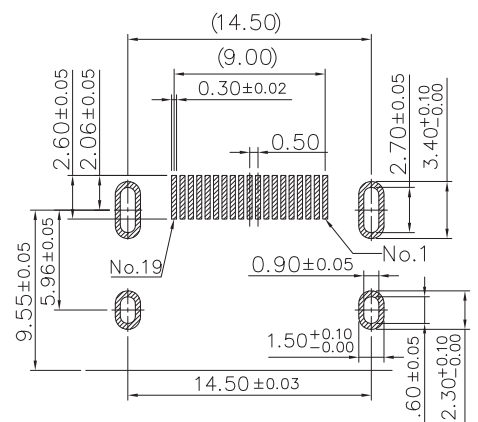
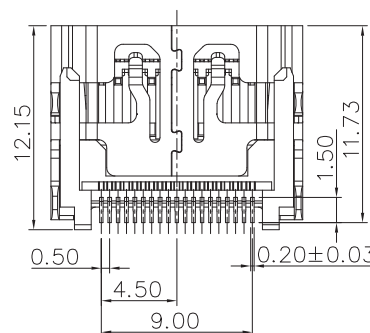
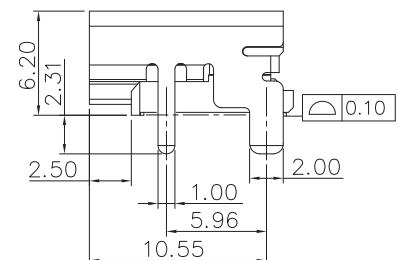
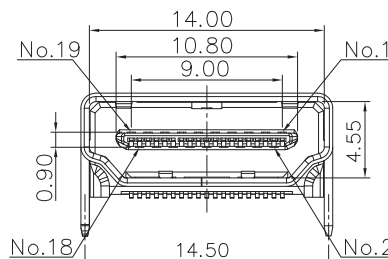
1. Current Rating : 0.3A AC/DC
2. Voltage Rating : 40V AC/DC
3. Contact Resistance : 30m ohm max.
4. Insulation Resistance : 100M ohm min.
5. Withstanding Voltage : 500V AC for one minute
6. Operating Temperature Range : -40°C ~+105°C

► Material and Finish

1. Insulator : High Temp. Plastic (UL94V-0)
2. Contact : Copper Alloy
3. Plating : Gold Plated on Contact Area
4. Shell : Stainless Steel

Female Surface Mount, With Through Hole Shell Tabs

5090R-19SG-SMN



P.C.B Layout

► Specifications

1. Current Rating : 0.5A AC/DC
2. Voltage Rating : 40V AC/DC
3. Contact Resistance : 30m ohm max.
4. Insulation Resistance : 100M ohm min.
5. Withstanding Voltage : 500V AC for one minute
6. Operating Temperature Range : -40°C ~+105°C

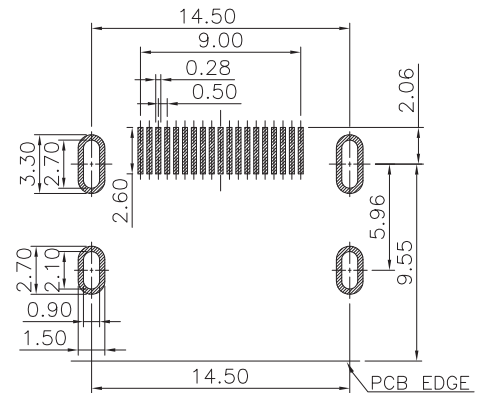
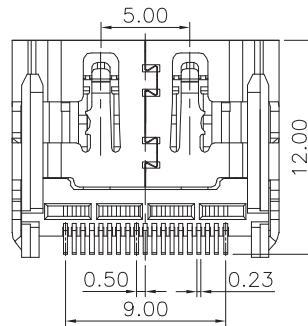
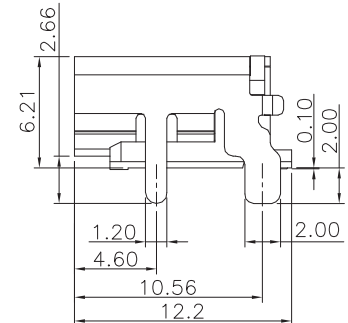
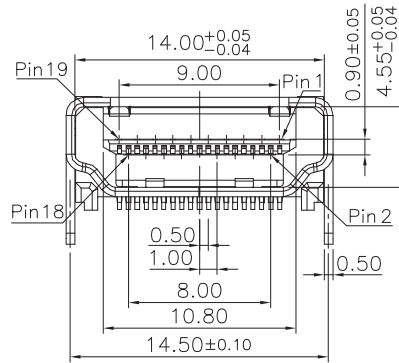
► Material and Finish

1. Insulator : High Temp. Plastic (UL94V-0)
2. Contact : Copper Alloy
3. Plating : Gold Plated on Contact Area
4. Shell : Stainless Steel

HDMI Connector Right Angle Type

Female Surface Mount, With Through Hole Shell Tabs

5090R-19SG-SM3-XX



P.C.B Layout

► Specifications

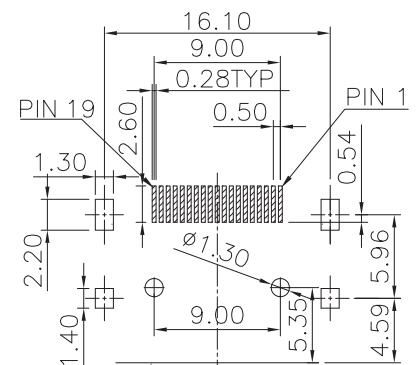
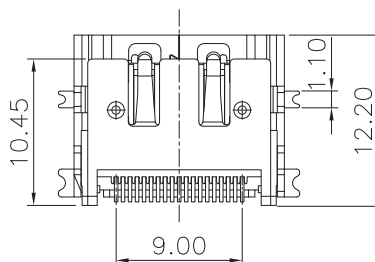
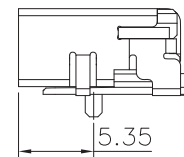
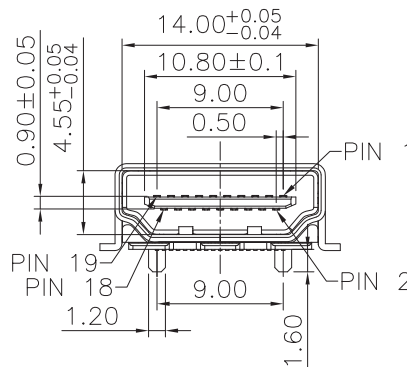
1. Current Rating : 0.5A AC/DC
2. Voltage Rating : 40V AC/DC
3. Contact Resistance : 30m ohm max.
4. Insulation Resistance : 100M ohm min.
5. Withstanding Voltage : 500V AC for one minute
6. Operating Temperature Range : -40°C ~+105°C

► Material and Finish

1. Insulator : Hight Temp. Plastic (UL94V-0)
2. Contact : Copper Alloy
3. Plating : Gold Plated on Contact Area
4. Shell : Spcc Steel, Nickel Plated

Female Surface Mount

5090R-19SG-SMT1-TP



P.C.B Layout

► Specifications

1. Current Rating : 0.5A AC/DC
2. Voltage Rating : 40V AC/DC
3. Contact Resistance : 30m ohm max.
4. Insulation Resistance : 100M ohm min.
5. Withstanding Voltage : 500V AC for one minute
6. Operating Temperature Range : -40°C ~+105°C

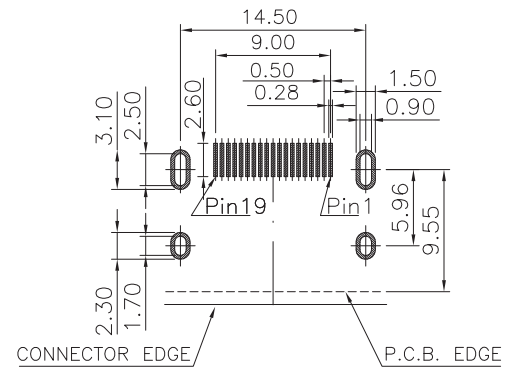
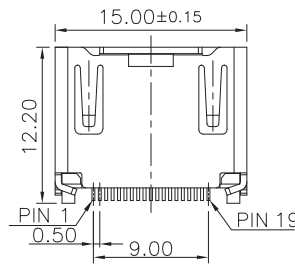
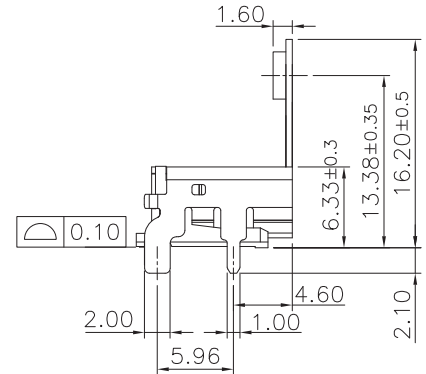
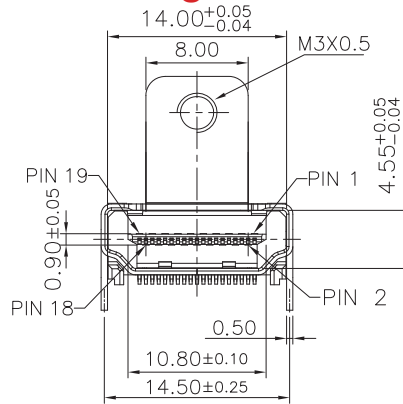
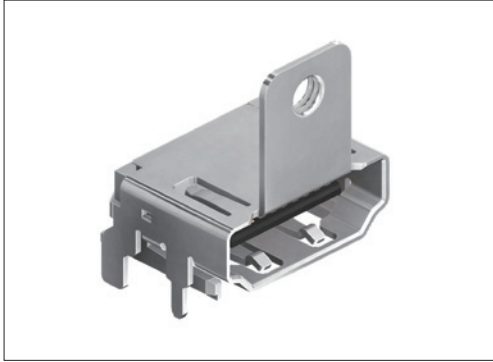
► Material and Finish

1. Insulator : Hight Temp. Plastic (UL94V-0)
2. Contact : Copper Alloy
3. Plating : Gold Plated on Contact Area
4. Shell : Copper Alloy, Nickel Plated

HDMI Connector Right Angle Type

Female Surface Mount, With Through Hole Shell Tabs, With Flange

5090R-19SG-SMSH-XX



P.C.B Layout

► Specifications

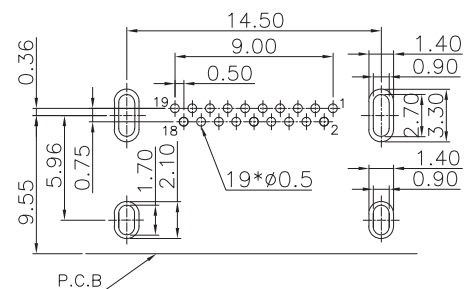
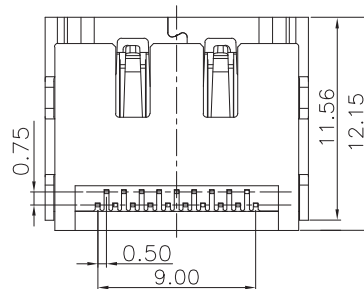
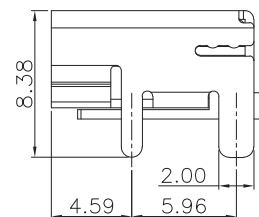
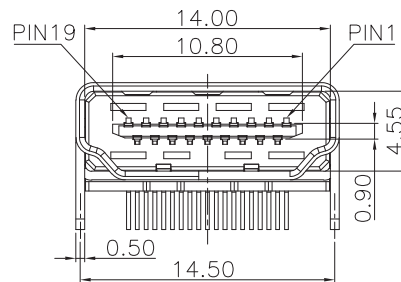
1. Current Rating : 0.5A AC/DC
2. Voltage Rating : 40V AC/DC
3. Contact Resistance : 30m ohm max.
4. Insulation Resistance : 100M ohm min.
5. Withstanding Voltage : 500V AC for one minute
6. Operating Temperature Range : -40°C ~+105°C

► Material and Finish

1. Insulator : Hight Temp. Plastic (UL94V-0)
2. Contact : Copper Alloy
3. Plating : Gold Plated on Contact Area
4. Shell : Brass Steel, Nickel Plated

Female Dip Type

5090R-19SG



P.C.B Layout

► Specifications

1. Current Rating : 0.5A AC/DC
2. Voltage Rating : 40V AC/DC
3. Contact Resistance : 30m ohm max.
4. Insulation Resistance : 300M ohm min.
5. Withstanding Voltage : 500V AC for one minute
6. Operating Temperature Range : -40°C ~+105°C

► Material and Finish

1. Insulator : Hight Temp. Plastic (UL94V-0)
2. Contact : Copper Alloy
3. Plating : Gold Plated on Contact Area
4. Shell : Stainless Steel, Nickel Plated

HDMI Connector UP-Right Angle Type

Female Dip Type

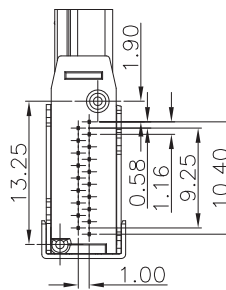
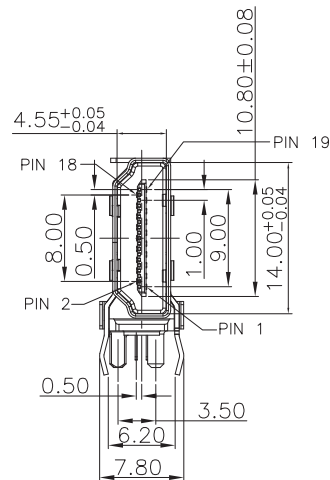


► Specifications

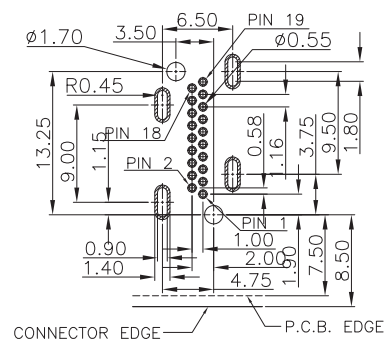
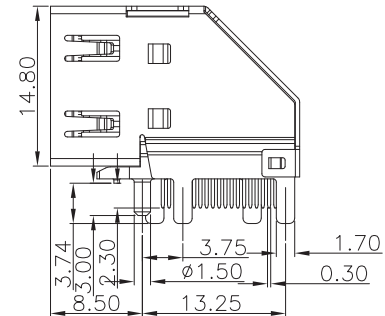
1. Current Rating : 0.8A AC/DC
2. Voltage Rating : 40V AC/DC
3. Contact Resistance : 30m ohm max.
4. Insulation Resistance : 100M ohm min.
5. Withstanding Voltage : 300V AC for one minute
6. Operating Temperature Range : -40°C ~+105°C

► Material and Finish

1. Insulator : High Temp. Plastic (UL94V-0)
2. Contact : Copper Alloy
3. Plating : Gold Plated on Contact Area
4. Shell : Stainless Steel, Nickel Plated



















5090UR-19SG







P.C.B. Layout

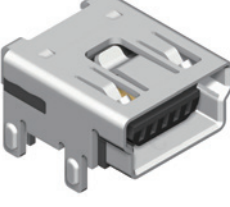


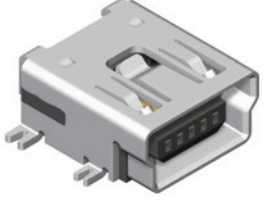
USB Type-A, Type-B Connector

<p>5075AS-04-XX</p>  <p>RoHS Compliant</p>	<p>5075AS-08-XX</p>  <p>RoHS Compliant</p>	<p>5075AR-04-XX</p>  <p>RoHS Compliant</p>	<p>5075AR-04A-XX</p>  <p>RoHS Compliant</p>
<p>5075AS-04-XX WH: White (Standard) BK: Black No. of Contacts A Type Socket Straight</p>	<p>5075AS-08-XX WH: White (Standard) BK: Black No. of Contacts A Type Socket Straight</p>	<p>5075AR-04-XX WH: White (Standard) BK: Black No. of Contacts A Type Socket Right Angle</p>	<p>5075AR-04A-XX WH: White (Standard) BK: Black No. of Contacts A Type Socket Right Angle</p>
<p>5075AR-04-SM-XX</p>  <p>RoHS Compliant</p>	<p>5075AR-04-SM1-XX</p>  <p>RoHS Compliant</p>	<p>5075AR-08B-XX</p>  <p>RoHS Compliant</p>	<p>5075ARP-04</p>  <p>RoHS Compliant</p>
<p>5075AR-04-SM-XX WH: White (Standard) BK: Black SM: SMD Type Blank: Dip Type No. of Contacts A Type Socket R/A</p>	<p>5075AR-04-SM1-XX WH: White (Standard) BK: Black SMD Type (Metal Shell Dip Type) No. of Contacts A Type Socket R/A</p>	<p>5075AR-08B-XX WH: White (Standard) BK: Black No. of Contacts A Type Socket Right Angle</p>	<p>5075ARP-04 No. of Contacts USB A Type Plug R/A</p>
<p>5075ARP-04-SM1</p>  <p>RoHS Compliant</p>	<p>5075ARP-04-SM2-XX</p>  <p>RoHS Compliant</p>	<p>5075ARP-04-SM5</p>  <p>RoHS Compliant</p>	<p>5075ARRP-04</p>  <p>RoHS Compliant</p>
<p>5075ARP-04-SM1 SM: SMD Type Blank: Dip Type No. of Contacts USB A Type Plug R/A</p>	<p>5075ARP-04-SM2-XX BK: Black (Standard) WH: White SM: SMD Type Blank: Dip Type No. of Contacts USB A Type Plug R/A</p>	<p>5075ARP-04-SM5 SM: SMD Type Blank: Dip Type No. of Contacts USB A Type Plug R/A</p>	<p>5075ARRP-04 No. of Contacts USB A Type Plug R/A Reverse</p>
<p>5075ARRP-04-SM1</p>  <p>RoHS Compliant</p>	<p>5075AUR-04-XX</p>  <p>RoHS Compliant</p>	<p>5075AUR-04-XX-PGA</p>  <p>RoHS Compliant</p>	<p>5075BS-04-XX-K0</p>  <p>RoHS Compliant</p>
<p>5075ARRP-04-SM1 SM: SMD Type Blank: Dip Type No. of Contacts USB A Type Plug R/A Reverse</p>	<p>5075AUR-04-XX WH: White (Standard) BK: Black No. of Contacts A Type UP R/A Type</p>	<p>5075AUR-04-XX-PGA With Peg WH: White (Standard) BK: Black No. of Contacts A Type Socket Frank R/A</p>	<p>5075BS-04-XX-K0 Blank: With Kink K0: Without Kink WH: White (Standard) BK: Black No. of Contacts USB B Type Straight</p>





USB Type-B, Type-AB, Micro USB, Mini USB Connector

5075BS-04A-XX	5075BR-04-XX	5075ABMR-05-SM	5075ABMR-05-SM1
			
RoHS Compliant	RoHS Compliant	RoHS Compliant	RoHS Compliant

<p>5075BS-04A-XX</p> <ul style="list-style-type: none"> WH: White (Standard) BK: Black No. of Contacts USB B Type Straight 	<p>5075BR-04-XX</p> <ul style="list-style-type: none"> WH: White (Standard) BK: Black No. of Contacts USB B Type Right Angle 	<p>5075ABMR-05-SM</p> <ul style="list-style-type: none"> SM: SMD Type No. of Contacts Mini AB Type Right Angle 	<p>5075ABMR-05-SM1</p> <ul style="list-style-type: none"> SMD Type (Metal Shell Dip Type) No. of Contacts Mini AB Type Right Angle
--	--	---	---

5075BMR-05	5075BMR-05B	5075BMR-05D	5075BMR-05-SM
			
RoHS Compliant	RoHS Compliant	RoHS Compliant	RoHS Compliant

<p>5075BMR-05</p> <ul style="list-style-type: none"> No. of Contacts Mini B Type Right Angle 	<p>5075BMR-05B</p> <ul style="list-style-type: none"> No. of Contacts Mini B Type Right Angle 	<p>5075BMR-05D</p> <ul style="list-style-type: none"> No. of Contacts Mini B Type Right Angle 	<p>5075BMR-05-SM</p> <ul style="list-style-type: none"> SMD Type No. of Contacts Mini B Type Right Angle
--	---	---	---

5075BMR-05-SM1	5075MABR-05-SM1	5075MBR-05-SM6	5075MBS-05-SM-01
			
RoHS Compliant	RoHS Compliant	RoHS Compliant	RoHS Compliant

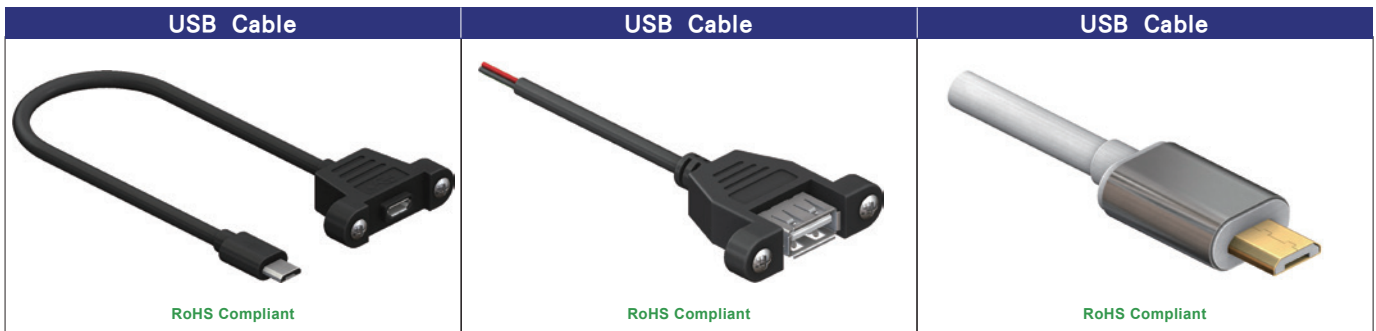
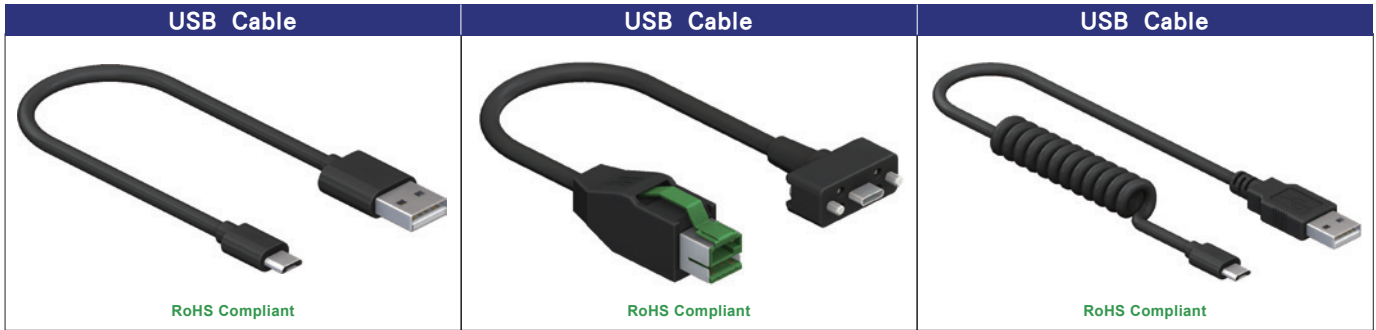
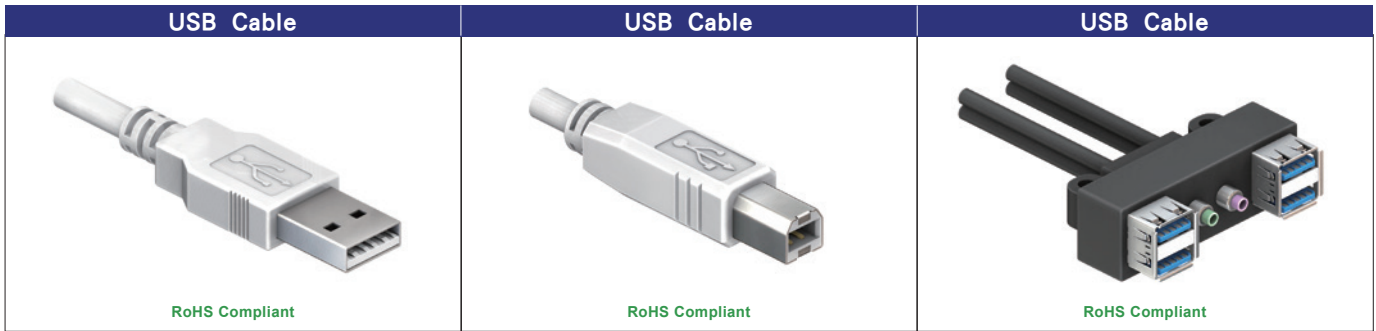
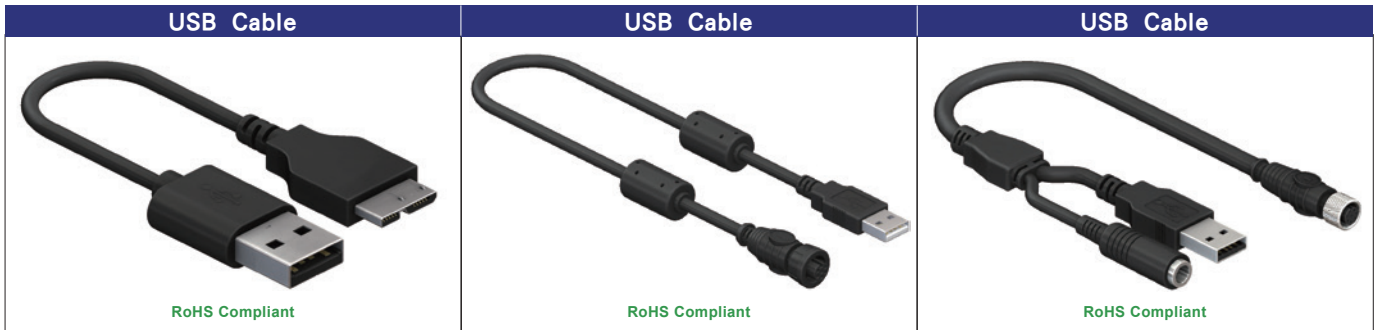
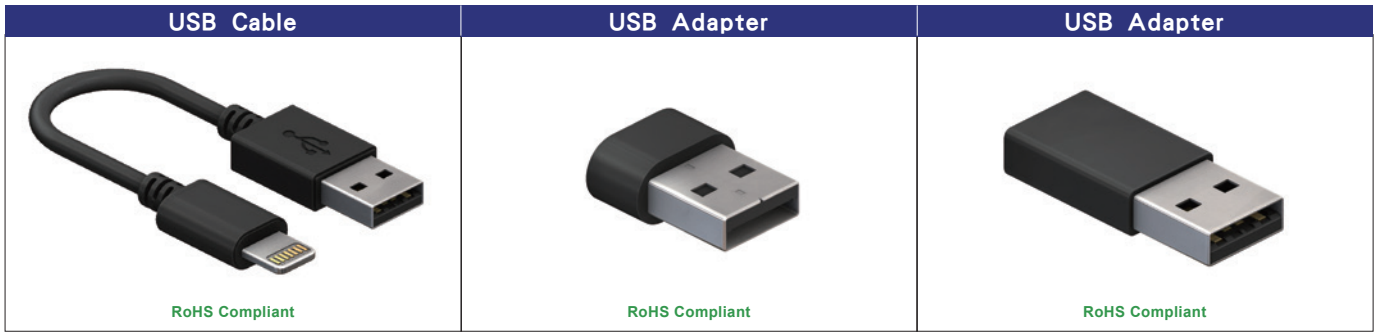
<p>5075BMR-05-SM1</p> <ul style="list-style-type: none"> SMD Type (Metal Shell Dip Type) No. of Contacts Mini B Type Right Angle 	<p>5075MABR-05-SM1</p> <ul style="list-style-type: none"> SMD Type Blank: Dip Type No. of Contacts Micro USB AB Type R/A 	<p>5075MBR-05-SM6</p> <ul style="list-style-type: none"> SMD Type No. of Contacts USB B Type Micro USB B Type R/A 	<p>5075MBS-05-SM-01</p> <ul style="list-style-type: none"> Blank: With Peg 01: Without Peg SMD Type No. of Contacts Micro USB B Type Straight
---	--	---	--

5075MABRR-05-SM-WP

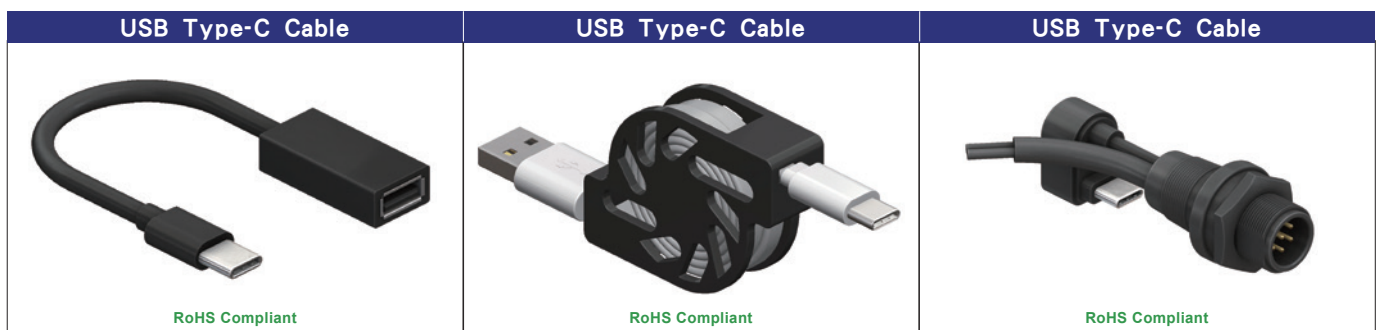
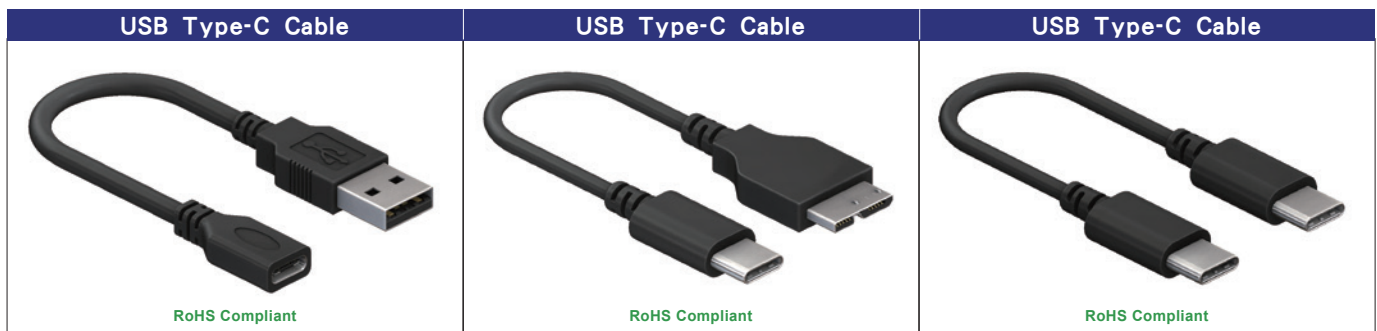
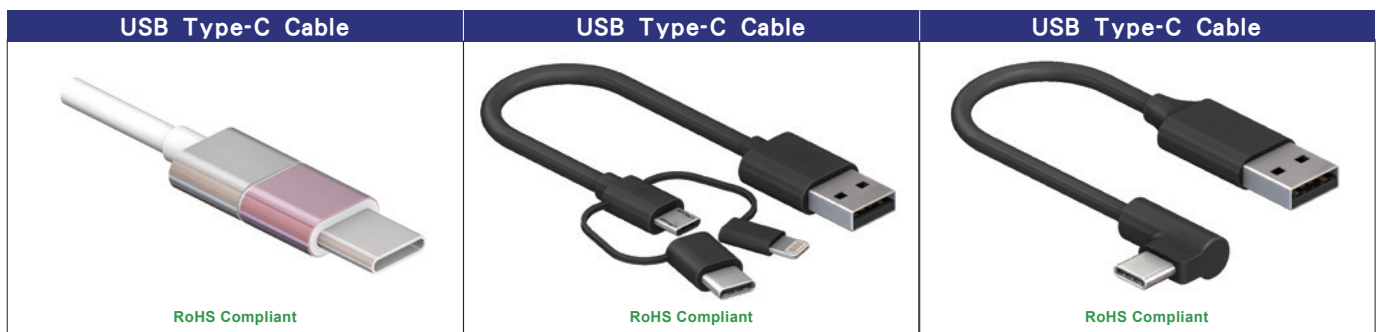
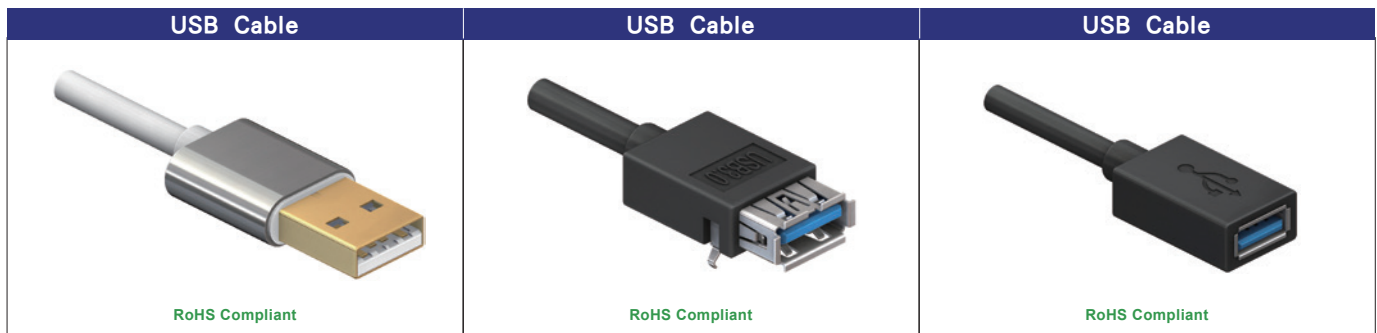
RoHS Compliant

5075MABRR-05-SM-WP




- Waterproof
- SMD Type
- No. of Contacts
- R/A Reverse
- Micro USB AB Type






USB, USB Type-C Cable





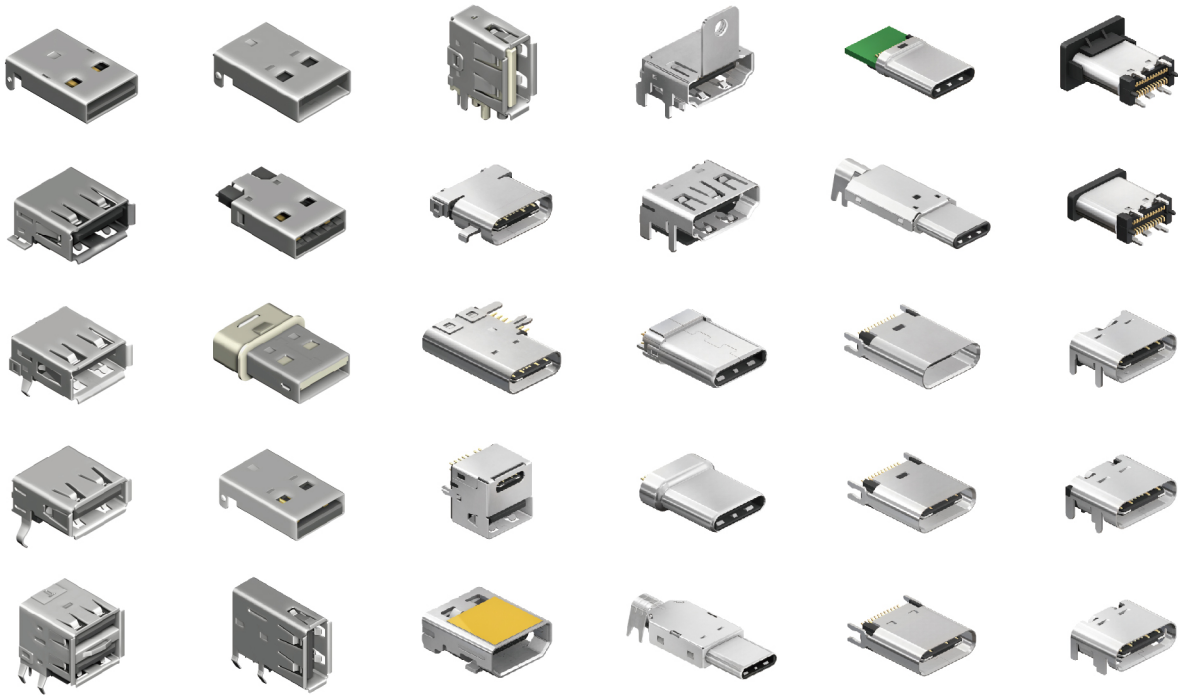
HDMI, DP Cable

USB Type-C Cable	USB HDMI Cable	USB HDMI Cable
 <p data-bbox="293 553 420 576">RoHS Compliant</p>	 <p data-bbox="748 553 875 576">RoHS Compliant</p>	 <p data-bbox="1203 553 1330 576">RoHS Compliant</p>

HDMI Cable	HDMI Cable	HDMI Cable
 <p data-bbox="293 925 420 948">RoHS Compliant</p>	 <p data-bbox="748 925 875 948">RoHS Compliant</p>	 <p data-bbox="1203 925 1330 948">RoHS Compliant</p>

HDMI Cable	Waterproof HDMI Cable	USB DP Cable
 <p data-bbox="293 1297 420 1320">RoHS Compliant</p>	 <p data-bbox="748 1297 875 1320">RoHS Compliant</p>	 <p data-bbox="1203 1297 1330 1320">RoHS Compliant</p>

DP Cable	DP Cable
 <p data-bbox="293 1669 420 1692">RoHS Compliant</p>	 <p data-bbox="748 1669 875 1692">RoHS Compliant</p>



USB TYPE-C CONNECTOR

Taiwan Head Office

2F., No. 184, Sec. 4, Chengde Rd., Shilin Dist., Taipei City 111, Taiwan

台北市士林區承德路四段184號2樓

Tel : +886-2-28802631 / +886-2-28819094

Fax : +886-2-28802710 / +886-2-28802888

E-mail : Sales@neltron.com.tw

Taiwan Factory

No. 198-116, Sec. 2, Zhong'ai Rd., Guanyin Dist., Taoyuan City 328452, Taiwan

桃園市觀音區忠愛路二段198之116號

Tel : +886-3-4988866

Fax : +886-3-4981166

<http://www.neltron.com.tw>

MADE IN TAIWAN

Copyright © 2020 Neltron Industrial Co., Ltd. All rights reserved.

PLEASE CONSULT US FOR ANY DETAIL DRAWING AND SPECIFICATION

